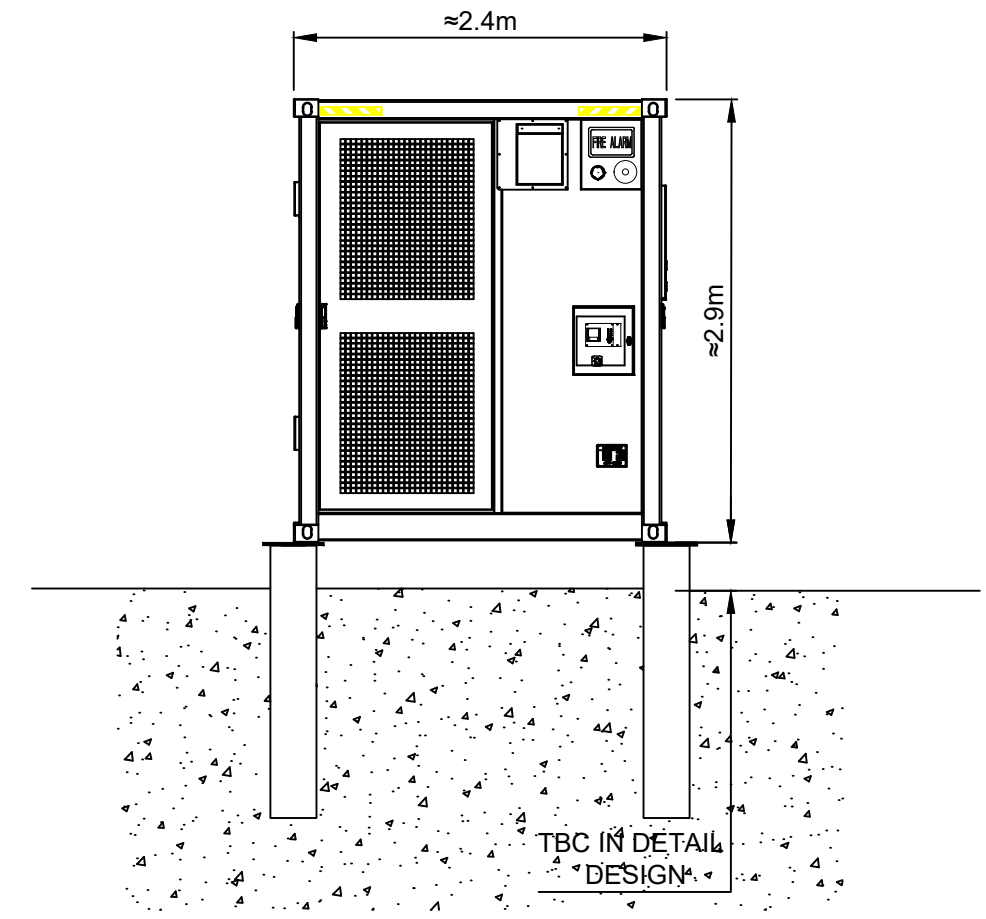
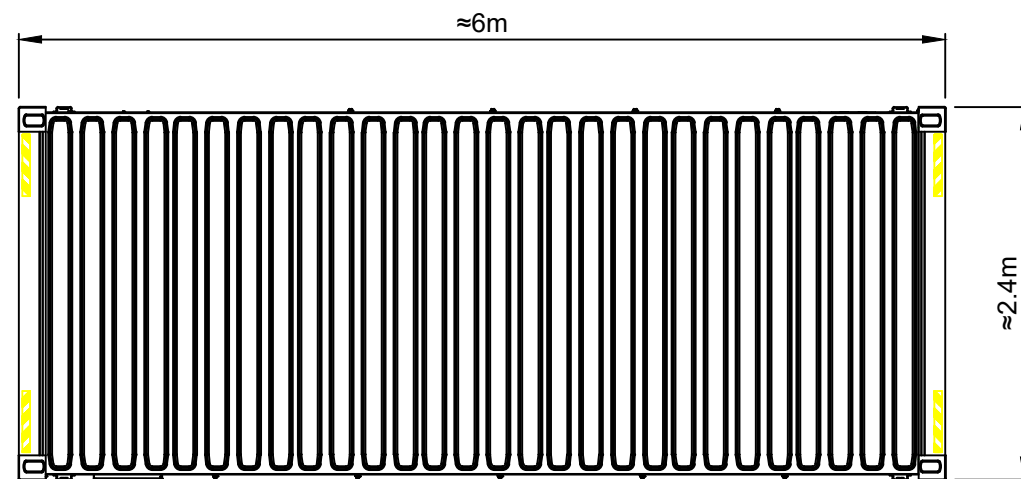


FRONT VIEW



SIDE VIEW



TOP VIEW



TYPICAL ENERGY STORAGE CONTAINER

REVISIONS					
REV	STATUS	DESCRIPTION	DATE	D.B.	C.B.
A	FA	INITIAL ISSUE	29/04/2024	XZ	AJ

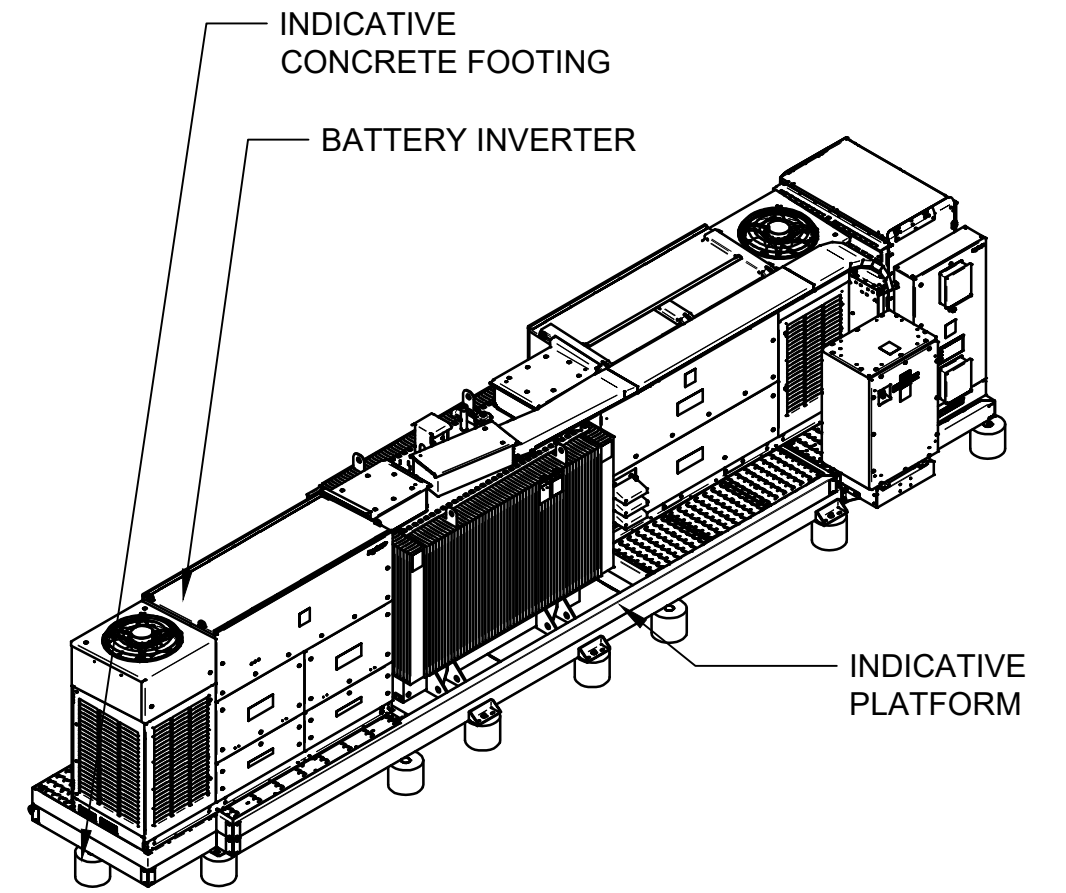
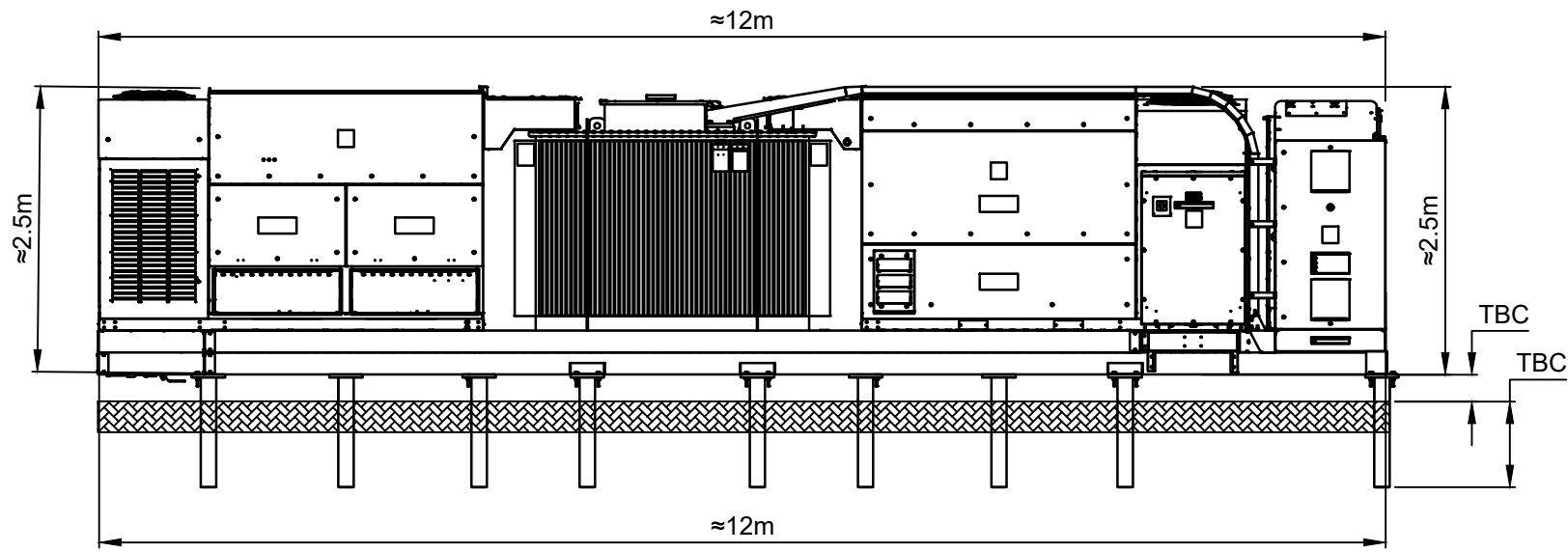
PROJECT DETAILS:	MURRUMBATMAN DISTRIBUTION BESS 3 TURTON PLACE MURRUMBATMAN, NEW SOUTH WALES 2582 <small>-34.8920, 149.04964</small>
CLIENT DETAILS:	ACENERGY PTY LTD
DRAWING TITLE:	ENERGY STORAGE CONTAINER ELEVATIONS

COPYRIGHT OF THIS DRAWING RESERVED BY ACENERGY PTY LTD. NO PART OF THIS DOCUMENT MAY BE REPRODUCED OR COPIED IN ANY FORM OR BY ANY MEANS WITHOUT CONSENT OF ACENERGY.

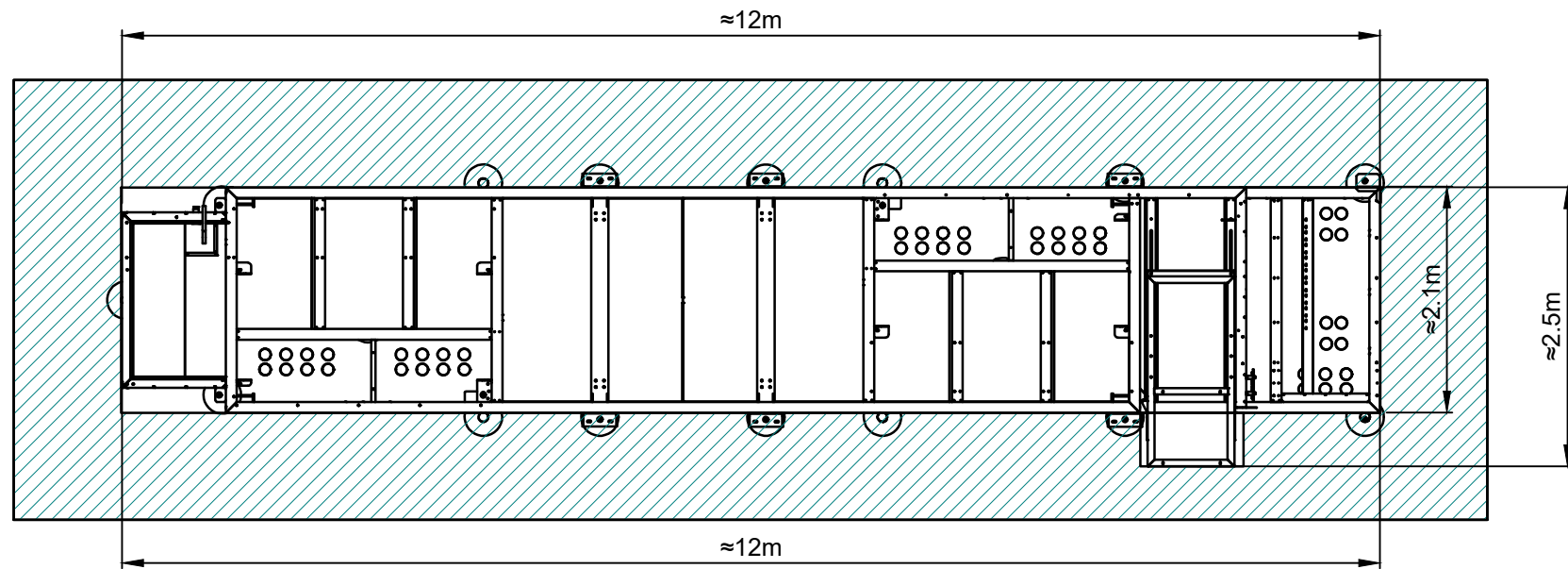
DRAWING NR:	G-3.0_23118	
DRAWN BY:	XZ	APPROVED BY: AJ
SCALE:	AS INDICATED	PROJECT MGR: LZ
SHEET SIZE:	A3	ISSUE DATE: 30/04/2024
	PROJECT NO: 23118	REV. NO: A



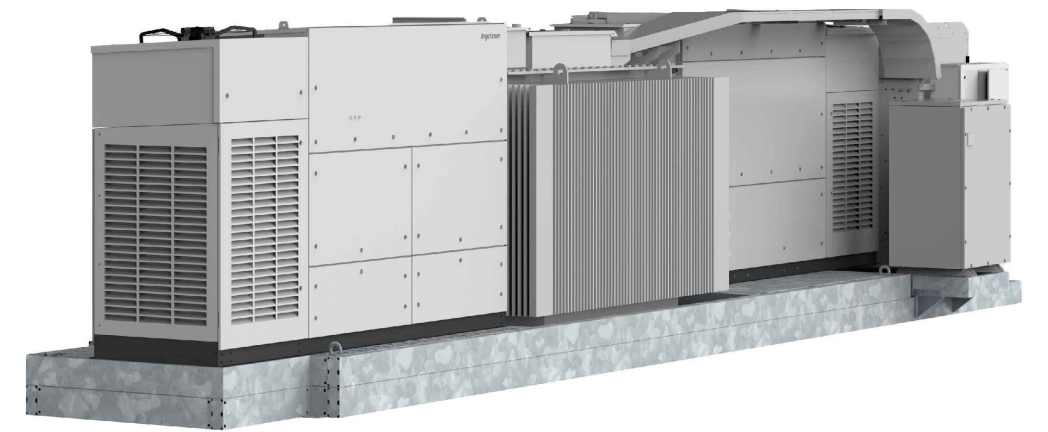

### MVPS FRONT VIEW



### MVPS TOP VIEW



### TYPICAL MVPS



REVISIONS					
REV	STATUS	DESCRIPTION	DATE	D.B.	C.B.
A	FA	INITIAL ISSUE	13/12/23	XZ	AJ

PROJECT DETAILS:	MURRUMBATAMAN DISTRIBUTION BESS 3 TURTON PLACE MURRUMBATAMAN, NEW SOUTH WALES 2582 <small>-34.9520, 149.04964</small>
CLIENT DETAILS:	ACENERGY PTY LTD
DRAWING TITLE:	MVPS ELEVATIONS

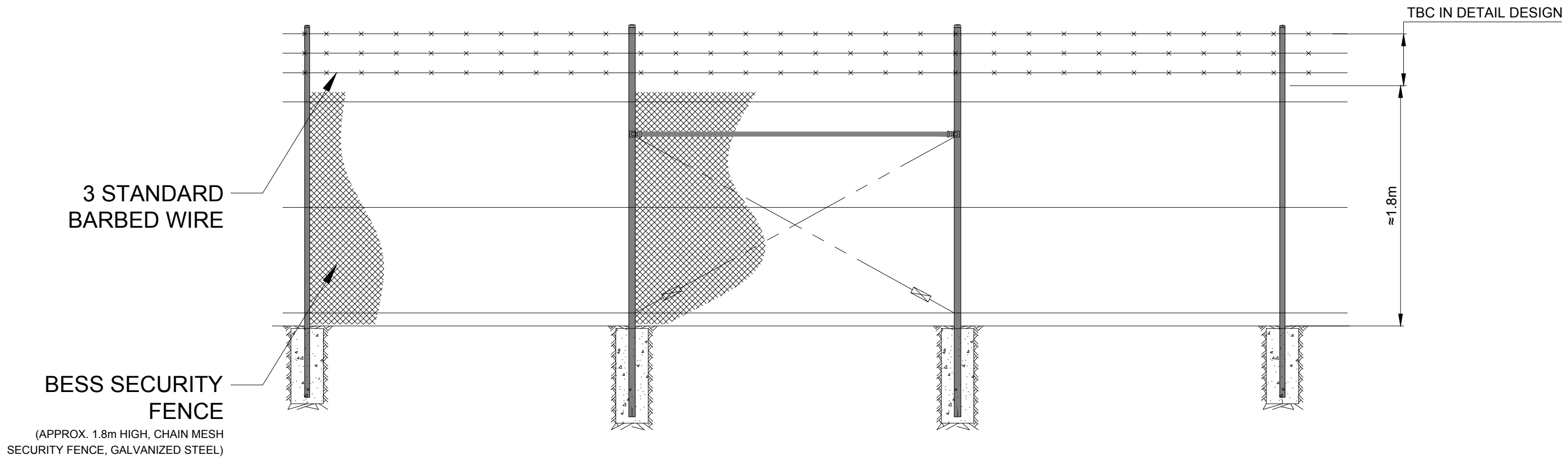
COPYRIGHT OF THIS DRAWING RESERVED BY ACENERGY PTY LTD. NO PART OF THIS DOCUMENT MAY BE REPRODUCED OR COPIED IN ANY FORM OR BY ANY MEANS WITHOUT CONSENT OF ACENERGY.

DRAWN BY :	XZ	APPROVED BY :	AJ	PROJECT MGR :	LZ
SCALE :	NO SCALE	ISSUE :	FOR APPROVAL	ISSUE DATE :	13/12/2023
SHEET SIZE:	A3	PROJECT NO:	23118	REV. NO:	A

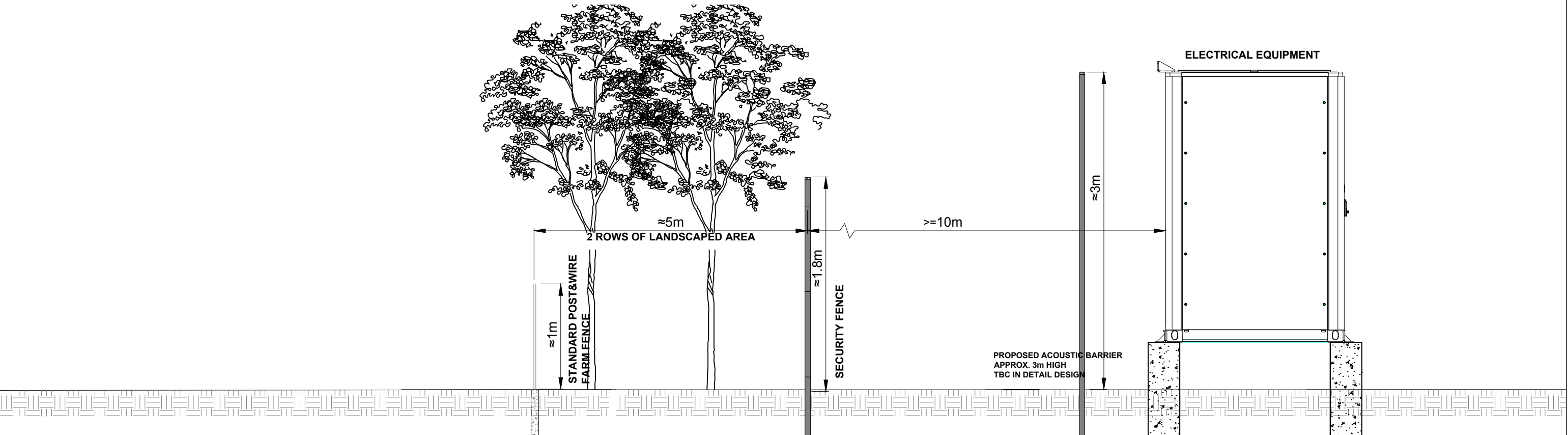
DRAWING NR:	G-4.0_023118
-------------	--------------



### SECURITY FENCE FRONT VIEW



### SECURITY FENCE AND TWO ROWS OF LANDSCAPE SIDE VIEW



REVISIONS					
REV	STATUS	DESCRIPTION	DATE	D.B.	C.B.
A	FA	INITIAL ISSUE	13/12/2023	XZ	AJ
B	FA	DETAILS AMENDED	20/11/2024	XZ	AJ

**PROJECT DETAILS:** MURRUMBATAMAN DISTRIBUTION BESS  
3 TURTON PLACE MURRUMBATAMAN, NEW SOUTH WALES 2582  
-34 9920, 149 04964

**CLIENT DETAILS:**  
ACENERGY PTY LTD

**DRAWING TITLE:**  
SECURITY FENCE & LANDSCAPE ELEVATIONS

COPYRIGHT OF THIS DRAWING RESERVED BY ACENERGY PTY LTD. NO PART OF THIS DOCUMENT MAY BE REPRODUCED OR COPIED IN ANY FORM OR BY ANY MEANS WITHOUT CONSENT OF ACENERGY.

DRAWING NR:  
G-5.0\_023118

DRAWN BY : XZ	APPROVED BY : AJ	PROJECT MGR : LZ
SCALE : NOT SCALE	ISSUE : FOR APPROVAL	ISSUE DATE : 20/11/2024
SHEET SIZE: A3	PROJECT NO: 23118	REV. NO: B

