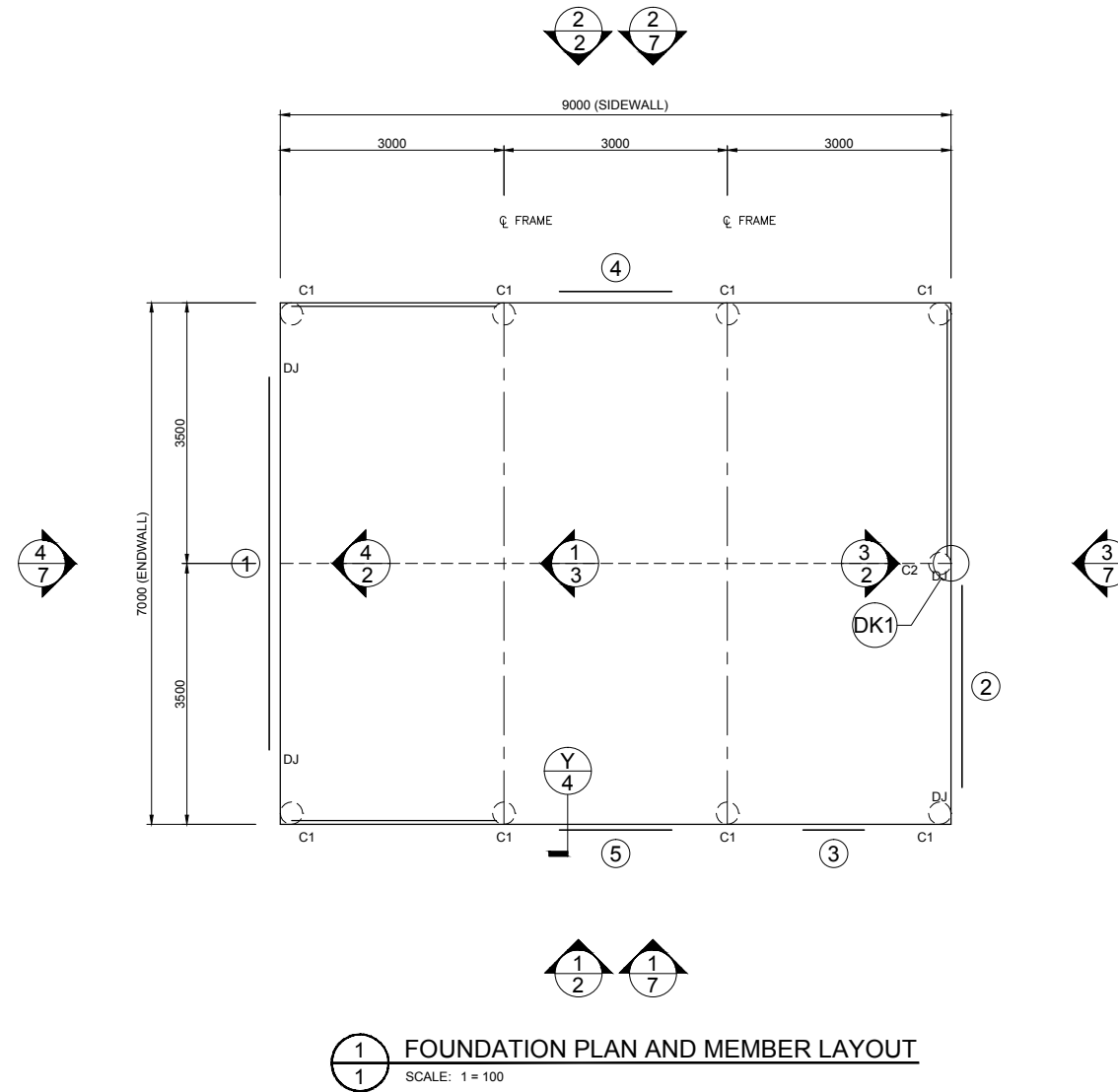


The design and detail shown on these drawings are applicable to this project only and may not be reproduced in whole or any part or be used for any other purpose without the written permission of FBHS (Aust) Pty Limited with whom copyright resides. The local distributor you are dealing with is an authorised independent distributor and enters into agreements with its customers on its own behalf.

IF IN DOUBT, ASK.



DO NOT SCALE THIS DRAWING. USE FIGURED DIMENSIONS ONLY. ALL DIMENSIONS TO BE VERIFIED ON SITE.

DJ - INDICATES DOOR JAMBS AT THESE LOCATIONS. REFER TO SHEET #4 ON THE DOOR SCHEDULE FOR SIZES

MEMBER LEGEND

C1	C15019
C2	C15015

SHEET 1 OF 7
 JOB NO. YAAS24724
 DATE 16/1/2025
 CHECKED TM
 DRAWN FDS

STEEL BUILDING BY (CONTACT)
MA STEEL PTY LTD (LIC 225516C)
 02 6226 4377
TONY WATSON
 4 GRACIANO PLACE
 MURRUMBATEMAN



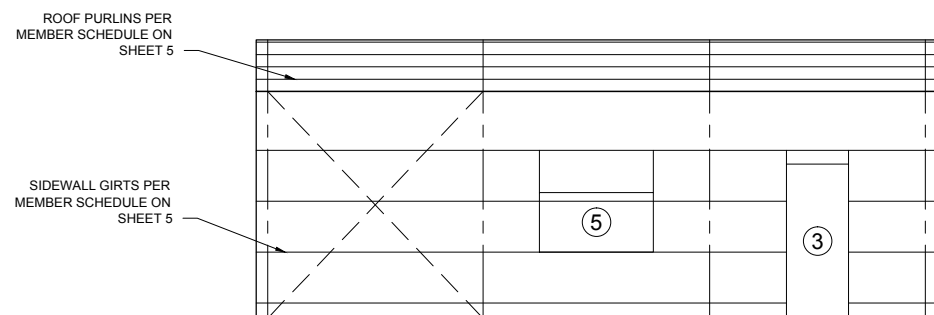
NORTHERN CONSULTING engineers
 Civil & Structural Engineers
 50 Punari Street
 Currajong, Qld 4812
 Fax: 07 4725 5850
 Email: design@nceng.com.au
 ABN 341 008 173 56

Registered Chartered Professional Engineer
 Registered Professional Engineer (Civil & Structural) QLD
 Registered Certifying Engineer (Structural) N.T.
 Registered Engineer - (Civil) VIC
 Registered Engineer - (Civil) TAS

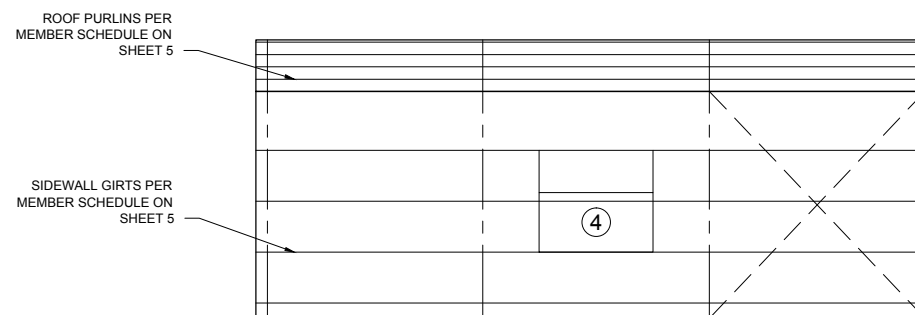
Regn. No. 2558980
 Regn. No. 9985
 Regn. No. 116373ES
 Regn. No. PE0002216
 Regn. No. CC5648M

Mr Timothy Roy Messer BE MIEAust RPEQ
 Signature *T. Messer*
 Date 16/1/2025
 Registered on the NPER in the areas of practice
 of Civil & Structural National Professional
 Engineers Register

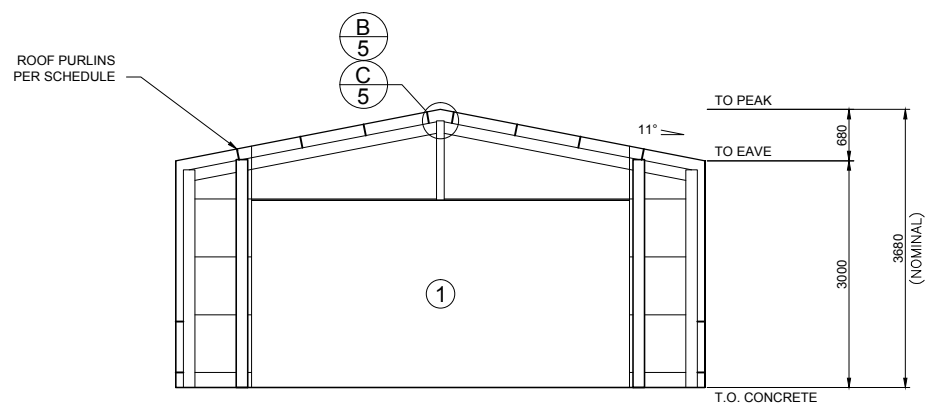
The design and detail shown on these drawings are applicable to this project only and may not be reproduced in whole or any part or be used for any other purpose without the written permission of FBHS (Aust) Pty Limited with whom copyright resides. The local distributor you are dealing with is an authorised independent distributor and enters into agreements with its customers on its own behalf.



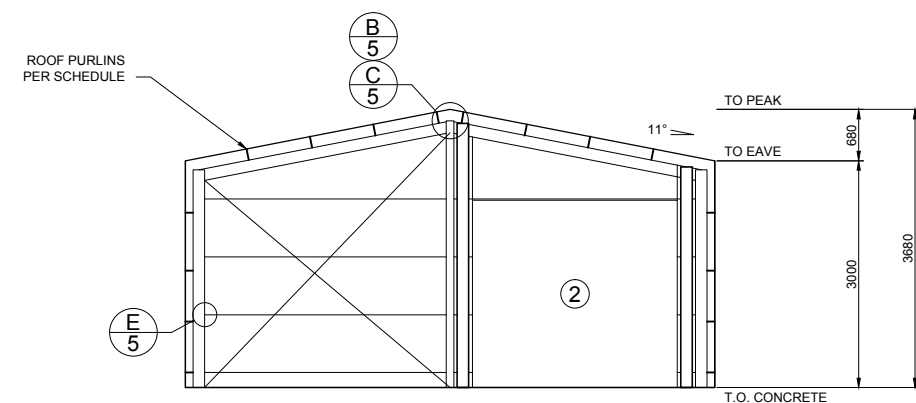
1 SIDEWALL EXTERIOR ELEVATION
2 SCALE: 1 = 100



2 SIDEWALL EXTERIOR ELEVATION
2 SCALE: 1 = 100



4 ENDWALL INTERIOR ELEVATION
2 SCALE: 1 = 100



3 ENDWALL INTERIOR ELEVATION
2 SCALE: 1 = 100

X BRACING IS REQUIRED IN 2 SIDE BAYS, 1 END BAY.
SEE LAYOUT OR PLANS FOR PLACEMENT.

2 OF 7	SHEET	JOB NO. YAAS24724	DATE 16/1/2025	CHECKED TM	DRAWN FDS
	NCC 2022				

STEEL BUILDING BY (CONTACT)
MA STEEL PTY LTD (LIC 225516C)
02 6226 4377
TONY WATSON
4 GRACIANO PLACE
MURRUMBATEMAN



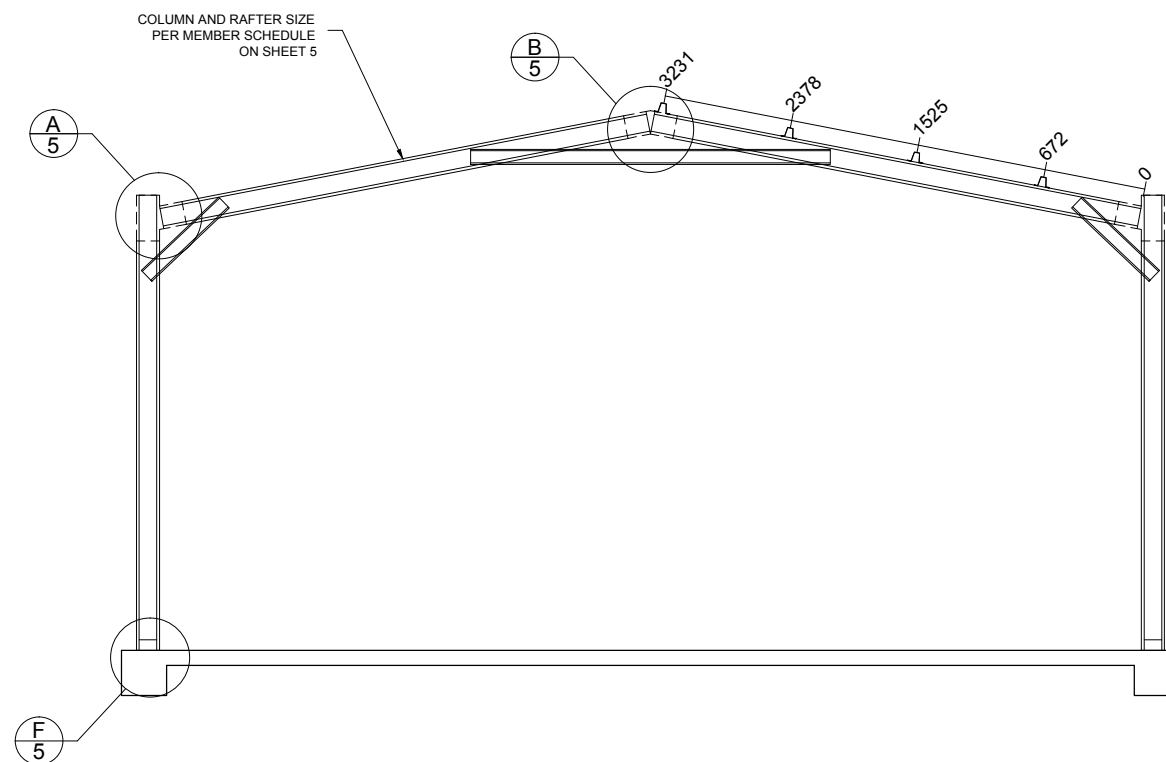
NORTHERN CONSULTING
engineers
Civil & Structural Engineers
50 Punari Street
Currajong, Qld 4812
Fax: 07 4725 5850
Email: design@nceng.com.au
ABN 341 008 173 56

Registered Chartered Professional Engineer
Registered Professional Engineer (Civil & Structural) QLD
Registered Certifying Engineer (Structural) N.T.
Registered Engineer - (Civil) VIC
Registered Engineer - (Civil) TAS

Regn. No. 2558980
Regn. No. 9985
Regn. No. 116373ES
Regn. No. PE0002216
Regn. No. CC5648M



Mr Timothy Roy Messer BE MIEAust RPEQ
Signature *T. Messer*
Date 16/1/2025
Registered on the NPER in the areas of practice
of Civil & Structural National Professional
Engineers Register

The design and detail shown on these drawings are applicable to this project only and may not be reproduced in whole or any part or be used for any other purpose without the written permission of FBHS (Aust) Pty Limited with whom copyright resides. The local distributor you are dealing with is an authorised independent distributor and enters into agreements with its customers on its own behalf.



1 INTERNAL FRAME SECTION
3 SCALE: 1 = 50

Refer to Sheet #4 for concrete specification.

SHEET 3 OF 7	JOB NO. YAAS24724	DATE 16/1/2025	CHECKED TM	DRAWN FDS	STEEL BUILDING BY MA STEEL PTY LTD (LIC 225516C) (CONTACT) 02 6226 4377 TONY WATSON 4 GRACIANO PLACE MURRUMBATEMAN		 Civil & Structural Engineers 50 Punari Street Currajong, Qld 4812 Fax: 07 4725 5850 Email: design@nceng.com.au ABN 341 008 173 56	Mr Timothy Roy Messer BE MIEAust RPEQ Signature <i>T. Messer</i> Date 16/1/2025 Registered on the NPER in the areas of practice of Civil & Structural National Professional Engineers Register
	NCC 2022							Registered Chartered Professional Engineer Registered Professional Engineer (Civil & Structural) QLD Registered Certifying Engineer (Structural) N.T. Registered Engineer - (Civil) VIC Registered Engineer - (Civil) TAS

The design and detail shown on these drawings are applicable to this project only and may not be reproduced in whole or any part or be used for any other purpose without the written permission of FBHS (Aust) Pty Limited with whom copyright resides. The local distributor you are dealing with is an authorised independent distributor and enters into agreements with its customers on its own behalf.

STRUCTURAL GENERAL NOTES

- GOVERNING CODE** : NATIONAL CONSTRUCTION CODE (NCC), LOADING TO AS1170 - ALL SECTIONS. BUILDING SUITABLE AS EITHER A PRIVATE GARAGE CLASS 10a, OR A FARM SHED (CLASS 7 OR 8), UNLESS OTHERWISE SPECIFICALLY NOTED. FOR USE AS A FARM SHED, IT MUST MEET THE FOLLOWING REQUIREMENTS:
 - BE LESS THAN 2000 SQM IN AREA (INCLUSIVE OF ANY MEZZANINE FLOOR AREA).
 - MUST BE LOCATED ON A FARM AND USED IN CONNECTION WITH FARMING PURPOSES.
 - BUILDING IS NOT TO BE OCCUPIED FREQUENTLY NOR FOR EXTENDED PERIODS BY PEOPLE, WITH A MAXIMUM OF 1 PERSON PER 200 SQM OR 2 PERSONS MAXIMUM IN TOTAL WHICHEVER IS THE LESSER.
- DRAWING OWNERSHIP** : THESE DRAWINGS REMAIN THE PROPERTY OF FBHS (AUST) PTY LIMITED. ENGINEERING SIGNATURE AND CERTIFICATION IS ONLY VALID WHEN BUILDING IS SUPPLIED BY A DISTRIBUTOR OF FBHS. DRAWINGS ARE PROVIDED FOR THE DUAL PURPOSE OF OBTAINING BUILDING PERMITS AND AIDING CONSTRUCTION. ANY OTHER USE OR REPRODUCTION IS PROHIBITED WITHOUT WRITTEN APPROVAL FROM FBHS.
- DRAWING SIGNATURE REQUIREMENTS** : THESE DRAWINGS ARE NOT VALID UNLESS SIGNED BY THE ENGINEER. THE ENGINEER ACCEPTS NO LIABILITY OR RESPONSIBILITY FOR DRAWINGS WITHOUT A SIGNATURE. EACH TITLE BLOCK CONTAINS A WATER MARK UNDER THE CUSTOMERS NAME CONTAINING THE DATE OF PRODUCTION OF THE DRAWINGS; THE DRAWINGS ARE TO BE SUBMITTED TO COUNCIL WITHIN 21 DAYS OF THIS DATE. THIS IS TO ENSURE THAT ONLY CURRENT DRAWINGS ARE IN CIRCULATION.
- CONTRACTOR RESPONSIBILITIES** : CERTIFIER AND CONTRACTOR TO CONFIRM (ON SITE) THAT THE WIND LOADINGS APPLIED TO THIS DESIGN ARE TRUE AND CORRECT FOR THE ADDRESS STATED IN THE TITLE BLOCK. CONTRACTOR SHALL VERIFY AND CONFIRM ALL EXISTING CONDITIONS AND DIMENSIONS. ENGINEER SHALL BE NOTIFIED OF ANY DISCREPANCIES BETWEEN DRAWINGS AND EXISTING CONDITIONS PRIOR TO START OF WORK. CONTRACTOR MUST NOT MAKE ANY DEVIATION FROM THE PROVIDED PLANS WITHOUT FIRST OBTAINING WRITTEN APPROVAL FROM ONE OF THE UNDERSIGNING ENGINEERS. THE ENGINEER / FBHS TAKE NO RESPONSIBILITY FOR CHANGES MADE WITHOUT WRITTEN APPROVAL. CONTRACTOR IS RESPONSIBLE FOR ENSURING NO PART OF THE STRUCTURE BECOMES OVERSTRESSED DURING CONSTRUCTION. BUILDING IS NOT STRUCTURALLY ADEQUATE UNTIL THE INSTALLATION OF ALL COMPONENTS AND DETAILS SHOWN IS COMPLETED IN ACCORDANCE WITH THESE DRAWINGS. THE INDICATED DRAWING SCALES ARE APPROXIMATE. DO NOT SCALE DRAWINGS FOR CONSTRUCTION PURPOSES. FOR FURTHER DIRECTIONS ON CONSTRUCTION THE CONTRACTOR SHOULD CONSULT THE APPROPRIATE INSTRUCTION MANUAL.
- ENGINEERING** : THE ENGINEER / FBHS ARE NOT ACTING AS PROJECT MANAGERS FOR THIS DEVELOPMENT, AND WILL NOT BE PRESENT DURING CONSTRUCTION. THE UNDERSIGNING ENGINEERS HAVE REVIEWED THIS BUILDING FOR CONFORMITY ONLY TO THE STRUCTURAL DESIGN PORTIONS OF THE GOVERNING CODE. THE PROJECT MANAGER IS RESPONSIBLE FOR ADDRESSING ANY OTHER CODE REQUIREMENTS APPLICABLE TO THIS DEVELOPMENT. THESE DOCUMENTS ARE STAMPED ONLY AS TO THE COMPONENTS SUPPLIED BY FBHS. IT IS THE RESPONSIBILITY OF THE PURCHASER TO COORDINATE DRAWINGS PROVIDED BY FBHS WITH OTHER PLANS AND/OR OTHER COMPONENTS THAT ARE PART OF THE OVERALL PROJECT. IN CASES OF DISCREPANCIES, THE LATEST DRAWINGS PROVIDED BY FBHS SHALL GOVERN. NO ALTERATIONS TO THIS STRUCTURE (INCLUDING REMOVAL OF CLADDING) ARE TO BE UNDERTAKEN WITHOUT THE CONSENT OF THE CERTIFYING ENGINEER. OPENINGS SUCH AS WINDOWS AND DOORS NEED TO BE INSTALLED AS PER THE PRODUCT MANUFACTURER'S INFORMATION/DETAILS. THE BUILDING IS DESIGNED AS A STAND-ALONE BUILDING, NOT RELYING ON ANY ADJACENT BUILDING. IF THE PERMANENT OPENING IS OBSTRUCTED BY ANY ADJACENT BUILDING AND WITHIN A DISTANCE OF 0.5M OF SAID OPENING, THE DESIGN SHOULD BE REFERRED TO THE DESIGN ENGINEER FOR REVIEW OF INTERNAL PRESSURES AND POSSIBLE REDESIGN.
- INSPECTIONS** : NO SPECIAL INSPECTIONS ARE REQUIRED BY THE GOVERNING CODE ON THIS JOB. ANY OTHER INSPECTIONS REQUESTED BY THE LOCAL BUILDING DEPARTMENT SHALL BE CONDUCTED AT THE OWNER'S EXPENSE.
- SOIL REQUIREMENTS** : SITE CLASSIFICATION TO BE A, S OR M ONLY. SOIL SAFE BEARING CAPACITY VALUE INDICATED ON DRAWING SHEET 4 OCCURS AT 100mm BELOW FINISH GRADE, EXISTING NATURAL GRADE, OR AT FROST DEPTH SPECIFIED BY LOCAL BUILDING DEPARTMENT, WHICHEVER IS THE LOWEST ELEVATION. REGARDLESS OF DETAIL Y ON SHEET 4 THE MINIMUM FOUNDATION DEPTH SHOULD BE 100MM INTO NATURAL GROUND OR BELOW FROST DEPTH SPECIFIED BY LOCAL COUNCIL. ROLLED OR COMPACTED FILL MAY BE USED UNDER SLAB, COMPACTED IN 150mm LAYERS TO A MAXIMUM DEPTH OF 900mm. CONCRETE FOUNDATION EMBEDMENT DEPTHS DO NOT APPLY TO LOCATIONS WHERE ANY UNCOMPACTED FILL OR DISTURBED GROUND EXISTS OR WHERE WALLS OF THE EXCAVATION WILL NOT STAND WITHOUT SUPPLEMENTAL SUPPORT, IN THIS CASE SEEK FURTHER ENGINEERING ADVICE.
- CLASS 10a or Class 7 FOOTING DESIGNS** : THE FOUNDATION DOCUMENTED IS ALSO APPROPRIATE FOR CLASS 10a or CLASS 7 BUILDING DESIGNS ON 'M-D', 'H', 'H-D' OR 'E' CLASS SOILS, IF TOTAL SLAB AREA IS UNDER 100m SQUARE AND THE MAXIMUM SLAB DIMENSION (LENGTH AND WIDTH) IS LESS THAN OR EQUAL TO 12m. PLEASE BE AWARE THAT THE SLAB DESIGN FOR H & E CLASS SOILS IN THESE INSTANCES ARE DESIGNED TO EXPERIENCE SOME CRACKING. THIS CRACKING IS NOT CONSIDERED A STRUCTURAL FLAW OR DESIGN ISSUE, AND IS SIMPLY COSMETIC IN NATURE. IF THIS IS A CONCERN TO THE CLIENT IT IS ADVISED THEY DISCUSS OTHER OPTIONS WITH THE RELEVANT DISTRIBUTOR PRIOR TO THE POURING OF THE SLAB.
- CONCRETE REQUIREMENTS** : ALL CONCRETE DETAILS AND PLACEMENT SHALL BE PERFORMED IN ACCORDANCE WITH AS2870 AND AS3600. CONCRETE SHALL HAVE A MIN. 28-DAY STRENGTH OF 20MPa FOR EXPOSURE A1, 25MPa FOR EXPOSURE A2, 32MPa FOR EXPOSURE B1, 40MPa FOR EXPOSURE B2 AND 50MPa FOR EXPOSURE C, IN ACCORDANCE WITH SECTION 4, AS3600. CEMENT TO BE TYPE A. MAX AGGREGATE SIZE OF 20mm. SLUMP TO BE 80mm +/-15mm. SLABS TO BE CURED FOR 7 DAYS BY WATERING OR COVERING WITH A PLASTIC MEMBRANE, AFTER WHICH CONSTRUCTION CAN BEGIN, DUE CARE GIVEN NOT TO OVER-TIGHTEN HOLD DOWN BOLTS. GIVEN ALLOWABLE SOIL TYPES 1 LAYER OF SL72 REINFORCING MESH IS TO BE INSTALLED ON STANDARD SLABS WITH A MINIMUM 30MM COVER FROM CONCRETE SURFACE. CONCRETE REINFORCING TO CONFORM TO AS 1302, AS1303 & AS 1304. ALL REINFORCING COVER TO BE A MINIMUM OF 30mm.
- STRUCTURAL STEEL REQUIREMENTS** : ALL STRUCTURAL STEEL, INCLUDING SHEETING THOUGH EXCLUDING CONCRETE REINFORCING, SHALL CONFORM TO AS 1397 (GAUGE <= 1mm fy = 550MPa, GAUGE > 1mm < 1.5mm fy = 500MPa, GAUGE >= 1.5mm fy = 450MPa). NO WELDING IS TO BE PERFORMED ON THIS BUILDING. ALL STRUCTURAL MEMBERS AND CONNECTIONS DESIGNED TO AS4600. ALL BOLT HOLE DIAMETERS TO STRAIT GENERAL PUNCHINGS.
- FOOT TRAFFIC** : FOR ERECTION AND MAINTENANCE PLEASE NOTE THE FOLLOWING DEFINED FOOT TRAFFIC ZONES:
 - CORRUGATED: WALK ONLY WITHIN 200MM OF SCREW LINES. FEET SPREAD OVER AT LEAST TWO RIBS.
 - MONOCLAD: WALK ONLY IN PANS, OR ON RIBS AT SCREW LINES.

PROJECT DESIGN CRITERIA

ROOF LIVE LOAD: 0.25 kPa
 BASIC WIND SPEED: VR 45 m/s
 SITE WIND SPEED: V_{sitB} 39.2 m/s
 WIND REGION: Reg A3
 TOPOGRAPHY FACTOR, Mt: 1
 SHIELDING FACTOR, Ms: 1
 MAX GROUND SNOW LOAD: N/A
 MAX ROOF SNOW LOAD: N/A
 SITE ALTITUDE: N/A
 TERRAIN CATEGORY: TCat 2.5
 SOIL SAFE BEARING CAPACITY: 100 kPa
 RETURN PERIOD: 1:500
 LIMITING CPI 1: -0.49
 LIMITING CPI 2: 0.36
 IMPORTANCE LEVEL: 2

DETAIL KEYS

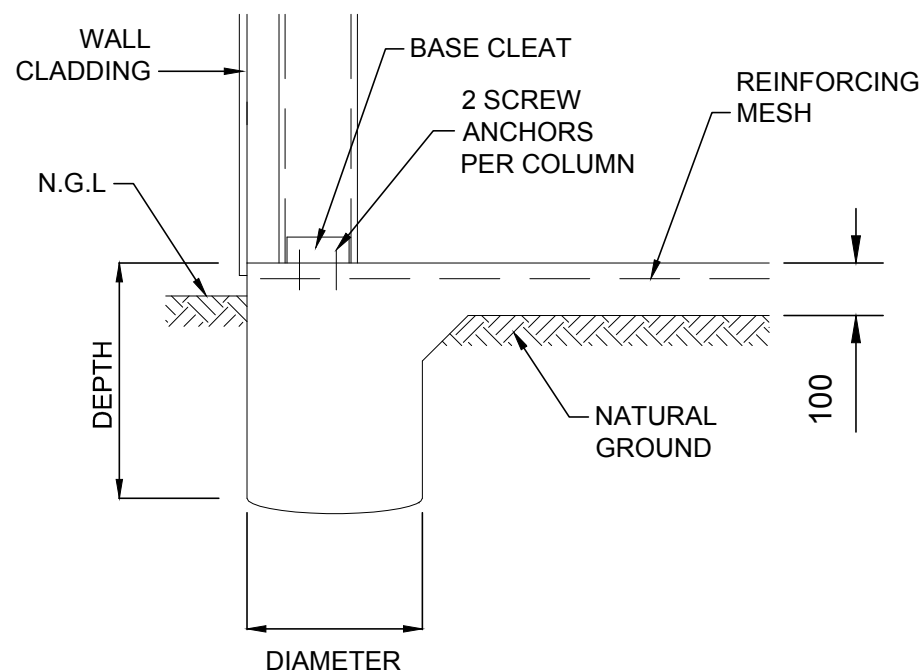
- DK1** ENDWALL VERTICAL MULLION (SEE DETAIL C/5 FOR TOP CONN. AND F/5 FOR BASE CONN.)
- DK2** FLYBRACING PER DETAIL L/5
- DK3** X-BRACING IN ROOF ABOVE (SEE DETAIL M/5)
- DK4** DOUBLE X-BRACING IN ROOF ABOVE (SEE DETAIL M/5)

SCHEDULE OF OPENINGS

DOOR	OPENING WIDTH	OPENING HEIGHT	OPENING TYPE	HEADER GIRT	OPENING JAMBS	WIND RATED
①	5000	2480*	2.50H X 5.10 CB *SERIES AA#	SINGLE	C15019P	NO
②	2710	2480*	2.50H X 2.77 CB *SERIES A#	SINGLE	C15019P	NO
③	820	2040	EXTERNAL PA DOOR 180 DEG	SINGLE		YES
④	1510	790	WINDOW	SINGLE		YES
⑤	1510	790	WINDOW	SINGLE		YES

NOTES: 1) SEE SHEET 5 FOR DOOR OPENING FRAMING INFORMATION.
 2) ALL DOOR SCHEDULE MEASUREMENTS ARE ACTUAL DOOR/WINDOW SIZE NOT OPENING SIZE.

* ROLLER DOOR OPENING HEIGHT DEPENDENT ON FINAL BUILD LOCATION.



300 x 300
 Diameter x Depth (mm)

N.G.L. - NATURAL GROUND LINE

Y	BORED LOCAL THICKENING DETAIL	DWG NO. SBOMA
---	--------------------------------------	----------------------

4 OF 7 SHEET	JOB NO. YAAS24724	DATE 16/1/2025	CHECKED TM	DRAWN FDS	STEEL BUILDING BY MA STEEL PTY LTD (LIC 225516C)
	NCC 2022				FOR AT

(CONTACT)
MA STEEL PTY LTD (LIC 225516C)
 02 6226 4377
TONY WATSON
 4 GRACIANO PLACE
 MURRUMBATEMAN

Civil & Structural Engineers
 50 Punari Street
 Currarong, Qld 4812
 Fax: 07 4725 5850
 Email: design@nceng.com.au
 ABN 341 008 173 56

Registered Chartered Professional Engineer
 Registered Professional Engineer (Civil & Structural) QLD
 Registered Certifying Engineer (Structural) N.T.
 Registered Engineer - (Civil) VIC
 Registered Engineer - (Civil) TAS

Regn. No. 2558980
 Regn. No. 9985
 Regn. No. 116373ES
 Regn. No. PE0002216
 Regn. No. CC5648M

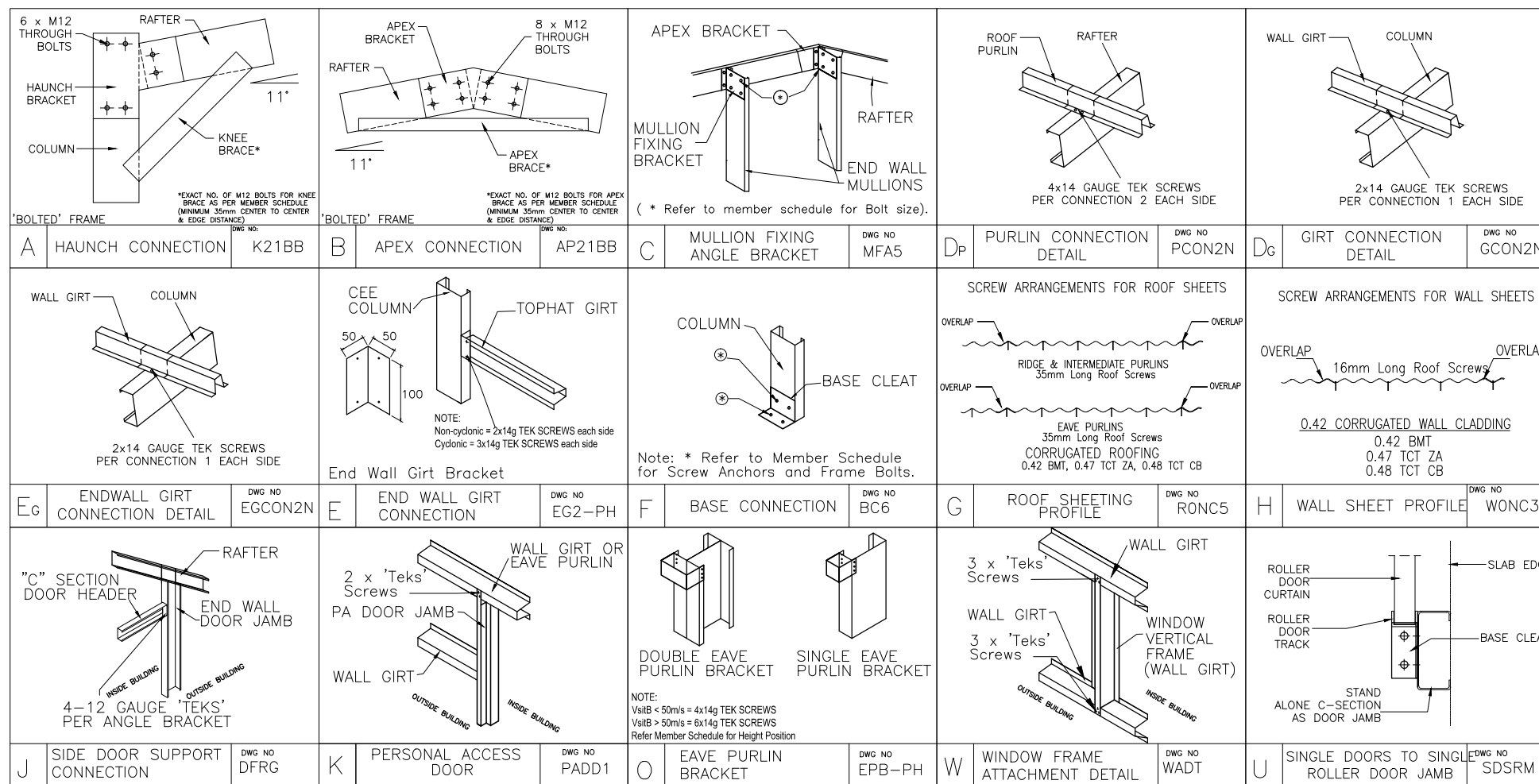
Mr Timothy Roy Messer BE MIEAust RPEQ

Signature *T. Messer*

Date 16/1/2025

Registered on the NPER in the areas of practice
 of Civil & Structural National Professional
 Engineers Register

The design and detail shown on these drawings are applicable to this project only and may not be reproduced in whole or any part or be used for any other purpose without the written permission of FBHS (Aust) Pty Limited with whom copyright resides. The local distributor you are dealing with is an authorised independent distributor and enters into agreements with its customers on its own behalf.



MEMBER AND MATERIAL SCHEDULE

1	END WALL RAFTER	Single C15019
2	C.S. FRAME RAFTER	Single C15019
3	END FRAME COLUMN (C1)	Single C15019
4	C.S. FRAME COLUMN (C1)	Single C15019
5	MULLION (C2)	Single C15015
6	C.S. FRAME KNEE BRACE	Single C10010 @ 0.86 LONG 2 bolts each end
7	KNEE BRACE HEIGHT UP COLUMN	2.44m
8	KNEE BRACE LENGTH UP RAFTER	0.48m
9	C.S. FRAME APEX BRACE	Single C10010 @ 2.38 LONG 2 bolts each end
10	APEX POSITION FROM RAFTER END	1.18m
11	ANCHOR BOLTS (# PER DETS.)	Screw Anchor 12mm x 100 Galv
12	EAVE PURLIN	C10010 (Eave Purlin Bracket 21mm down from top of column)
13	TYP. ROOF PURLIN SIZE	Tophat 64 x 1.0
14	MAIN BLDG. PURLIN SPACING	0.853 m. (4 rows) (Max Allow. 1.000m)
15	MAIN BLDG. PURLIN LENGTH	3.1 m. (0.1m Overlap)
16	TYP. SIDEWALL GIRTS SIZE	Tophat 64 x 1.0
17	MAIN BLDG. SIDEWALL GIRTS SPACING	0.674 m. (4 rows) (Max Allow. 0.899m)
18	MAIN BLDG. SIDEWALL GIRTS LENGTH	3.1 m. (0.1m Overlap)
19	TYP. ENDWALL GIRTS SIZE	Tophat 64 x 1.0
20	MAIN BLDG. ENDWALL GIRTS SPACING	0.765 m. (4 rows) (Max Allow. 0.899m)
21	MAIN BLDG. ENDWALL GIRTS LENGTH	3.38 m. (0.1m Overlap)
22	FRAME SCREW FASTENERS	14-13x22 Hex C/S (SP HD 5/16" Hex Drive)
23	FRAME BOLT FASTENERS	Purlin Assy M12x30 Z/P
24	X-BRACING STRAP AND FASTENERS	32 x 1.2mm Strap with 4 x 14g Tek Screws Each End
25	WALL COLOUR	MONUMENT
26	ROOF COLOUR	NIGHT_SKY
27	ROLLER DOOR COLOUR	MONUMENT
28	P.A. DOOR COLOUR	MONUMENT
29	WINDOW COLOUR	MONUMENT
30	DOWNPIPE COLOUR	MONUMENT
31	GUTTER COLOUR	MONUMENT
32	CORNER FLASHING COLOUR	MONUMENT
33	BARGE FLASHING COLOUR	MONUMENT
34	OPENING FLASHING COLOUR	MONUMENT
35	OPEN BAY HEADER HEIGHT	0.5

C.S. = CLEARSPAN "L" = LEFT "R." = RIGHT

5 OF 7 SHEET

JOB NO. YAAS24724
NCC 2022

DATE 16/1/2025

CHECKED TM

DRAWN FDS

STEEL BUILDING BY (CONTACT)
MA STEEL PTY LTD (LIC 225516C)
02 6226 4377
TONY WATSON
4 GRACIANO PLACE
MURRUMBATEMAN

FOR AT

SHED SAFE

NORTHERN CONSULTING engineers

Civil & Structural Engineers
50 Punari Street
Currarong, Qld 4812
Fax: 07 4725 5850
Email: design@nceng.com.au
ABN 341 008 173 56

Registered Chartered Professional Engineer
Registered Professional Engineer (Civil & Structural) QLD
Registered Certifying Engineer (Structural) N.T.
Registered Engineer - (Civil) VIC
Registered Engineer - (Civil) TAS

Regn. No. 2558980
Regn. No. 9985
Regn. No. 116373ES
Regn. No. PE0002216
Regn. No. CC5648M

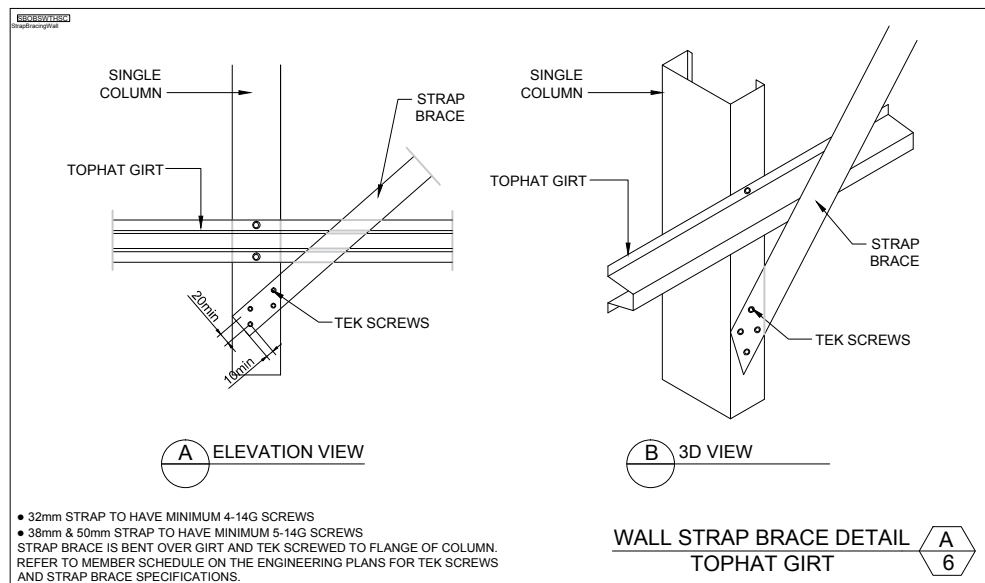
Mr Timothy Roy Messer BE MIEAust RPEQ

Signature *T. Messer*

Date 16/1/2025

Registered on the NPER in the areas of practice of Civil & Structural National Professional Engineers Register

The design and detail shown on these drawings are applicable to this project only and may not be reproduced in whole or any part or be used for any other purpose without the written permission of FBHS (Aust) Pty Limited with whom copyright resides. The local distributor you are dealing with is an authorised independent distributor and enters into agreements with its customers on its own behalf.



6
OF
7

SHEET

JOB NO.
YAAS24724

DATE
16/1/2025

CHECKED
TM

DRAWN
FDS

STEEL BUILDING BY (CONTACT)
MA STEEL PTY LTD (LIC 225516C)
02 6226 4377
TONY WATSON
4 GRACIANO PLACE
MURRUMBATEMAN

FOR
AT

SHED SAFE
ACCREDITED

NORTHERN CONSULTING
engineers

Civil & Structural Engineers
50 Punari Street
Currajong, Qld 4812
Fax: 07 4725 5850
Email: design@nceng.com.au
ABN 341 008 173 56

Regn. No. 2558980
Regn. No. 9985
Regn. No. 116373ES
Regn. No. PE0002216
Regn. No. CC5648M

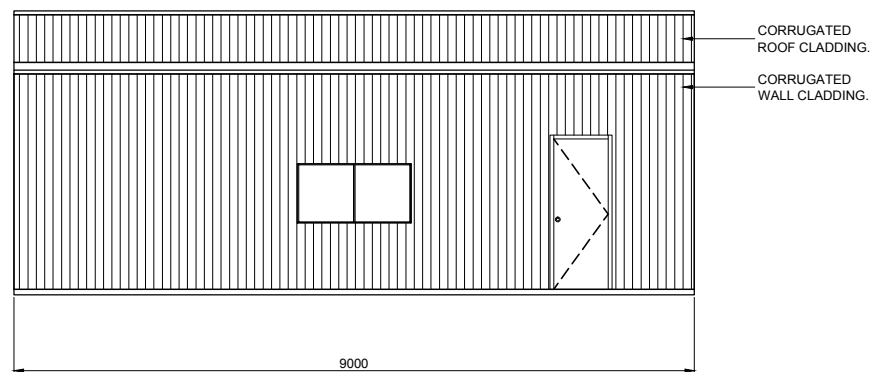
Mr Timothy Roy Messer BE MIEAust RPEQ

Signature *T. Messer*

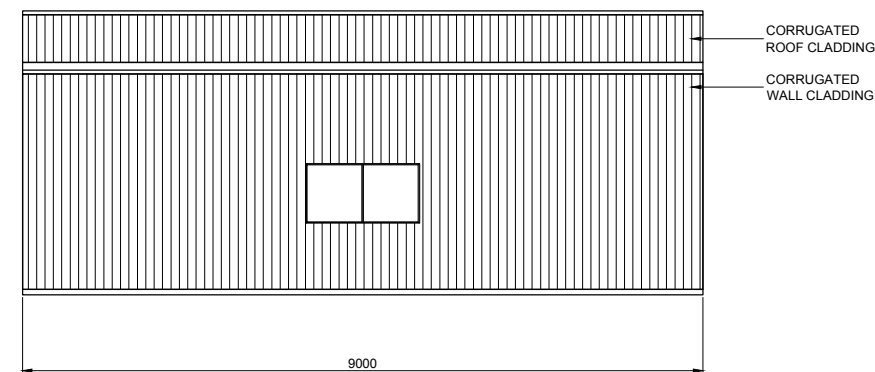
Date 16/1/2025

Registered on the NPER in the areas of practice
of Civil & Structural National Professional
Engineers Register

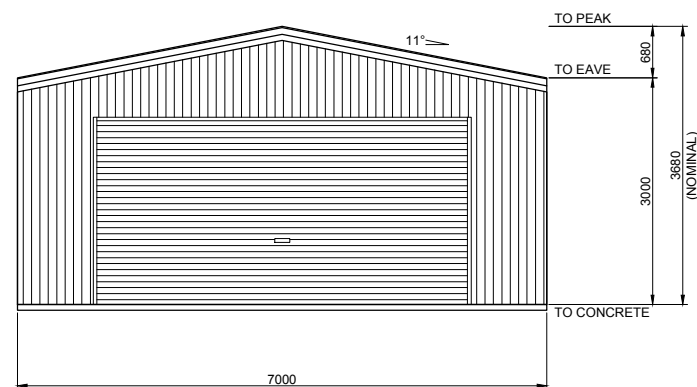
The design and detail shown on these drawings are applicable to this project only and may not be reproduced in whole or any part or be used for any other purpose without the written permission of FBHS (Aust) Pty Limited with whom copyright resides. The local distributor you are dealing with is an authorised independent distributor and enters into agreements with its customers on its own behalf.



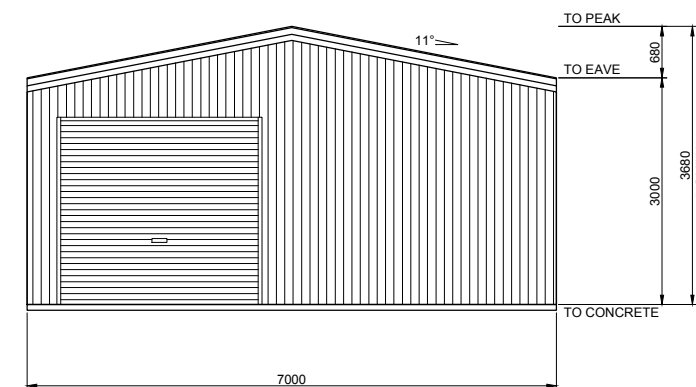
1
7 SIDEWALL EXTERIOR ELEVATION
SCALE: 1 = 100



2
7 SIDEWALL EXTERIOR ELEVATION
SCALE: 1 = 100



4
7 ENDWALL EXTERIOR ELEVATION
SCALE: 1 = 100



3
7 ENDWALL EXTERIOR ELEVATION
SCALE: 1 = 100

BUILDING COLOURS

WALL	MONUMENT
ROOF	NIGHT SKY
ROLLER DOOR	MONUMENT
P.A. DOOR	MONUMENT
WINDOW	MONUMENT
DOWNPIPE	MONUMENT
GUTTER	MONUMENT
CORNER FLASHING	MONUMENT
BARGE FLASHING	MONUMENT
OPENING FLASHING	MONUMENT

7
OF
7

SHEET

JOB NO. YAAS24724
NCC 2022

DATE 16/1/2025

CHECKED TM

DRAWN FDS

STEEL BUILDING BY (CONTACT)
MA STEEL PTY LTD (LIC 225516C)
02 6226 4377
TONY WATSON
4 GRACIANO PLACE
MURRUMBATEMAN

FOR AT



NORTHERN CONSULTING engineers

Civil & Structural Engineers
50 Punari Street
Currajong, Qld 4812
Fax: 07 4725 5850
Email: design@nceng.com.au
ABN 341 008 173 56

Registered Chartered Professional Engineer
Registered Professional Engineer (Civil & Structural) QLD
Registered Certifying Engineer (Structural) N.T.
Registered Engineer - (Civil) VIC
Registered Engineer - (Civil) TAS

Regn. No. 2558980
Regn. No. 9985
Regn. No. 116373ES
Regn. No. PE0002216
Regn. No. CC5648M

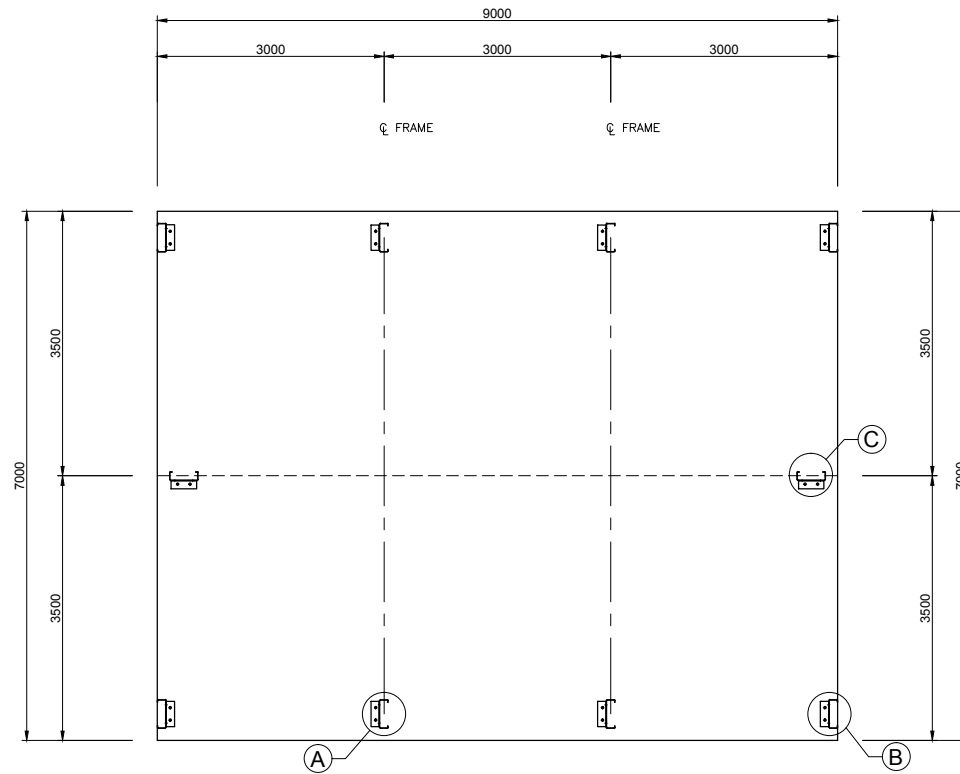
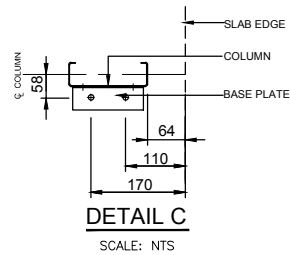
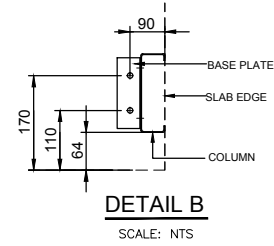
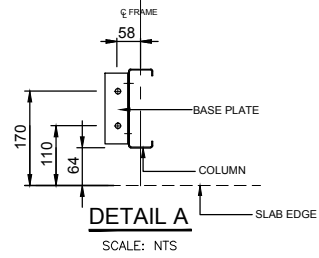
Mr Timothy Roy Messer BE MIEAust RPEQ

Signature *T. Messer*

Date 16/1/2025

Registered on the NPER in the areas of practice of Civil & Structural National Professional Engineers Register

The design and detail shown on these drawings are applicable to this project only and may not be reproduced in whole or any part or be used for any other purpose without the written permission of FBHS (Aust) Pty Limited (FBHS) with whom copyright resides. The local distributor you are dealing with is an authorised independent distributor and enters into agreements with its customers on its own behalf.



1 BOLT LAYOUT PLAN
1 SCALE: 1 = 100

NOT PART OF COUNCIL APPLICATION DOCUMENTATION

IF YOU HAVE A ROLLER DOOR IN THE GABLE END OF YOUR SHED, CONTACT YOUR DISTRIBUTOR TO SEE IF MULLION NEEDS TO BE ROTATED FOR USE AS A DOOR JAMB.

JOB NO. YAAS24724	DATE 16/1/2025	CHECKED TM	DRAWN FDS	STEEL BUILDING BY
				MA STEEL PTY LTD (LIC 225516C)
				FOR
				AT
				TONY WATSON
				4 GRACIANO PLACE
				MURRUMBATEMAN



BOLT LAYOUT PLAN

COMPLIANCE CERTIFICATE FOR BUILDING DESIGN

<p>Property Description Street address (include number, street, suburb/locality & postcode)</p>	<table border="1" style="width: 100%; border-collapse: collapse;"> <tr> <td style="width: 70%;">4 GRACIANO PLACE MURRUMBATEMAN</td> <td style="width: 30%; text-align: right;">Postcode : 2582</td> </tr> </table>	4 GRACIANO PLACE MURRUMBATEMAN	Postcode : 2582																												
4 GRACIANO PLACE MURRUMBATEMAN	Postcode : 2582																														
<p>Description of Component/s Certified Clearly describe the extent of work covered by this certificate.</p>	<p>Steel Portal Frame Structure.</p> <p>7m span x 9m O/A length x 3m eaves height.</p> <p>Consisting of 3 bays at 3m spacing.</p>																														
<p>Basis of Certification Detail the basis for giving the certificate and the extent to which tests, specifications, rules, standards, codes of practice and other publications, were relied upon.</p>	<p>Australian Standards (list) AS/NZS 4600-2018, AS/NZS 1170.0, 1-2002, 1170.2-2021, 1170.3-2003, 1170.4-2007, AS2870-2011, AS3600-2018, AS5216-2021</p> <table border="1" style="width: 100%; border-collapse: collapse;"> <tr> <td style="width: 50%;">2022 National Construction Code of Australia</td> <td style="width: 50%;">NCC Building Classification: Class 10a</td> </tr> <tr> <td>Region AS1170.2 = Reg A</td> <td>Factor for Region = NA</td> </tr> <tr> <td>NCC Importance Level = 2</td> <td>NCC Equivalent Wind class = N/A</td> </tr> <tr> <td>Annual Probability Exceedance wind = 1:500</td> <td>Design Roof Live Load = 0.25 kPa</td> </tr> <tr> <td colspan="2">Regional 3 s Gust Wind Speed for annual probability of exceedance $V_R = 45$ m/s</td> </tr> <tr> <td colspan="2">Wind directional multipliers for the 8 cardinal directions $M_d = 1.00$</td> </tr> <tr> <td>Terrain/Height multiplier (M_z, Cat) = 0.87</td> <td>Shielding Multiplier $M_s = 1$</td> </tr> <tr> <td>Topographic multiplier $M_t = 1$</td> <td>Design Wind Speed = 39 m/s</td> </tr> <tr> <td>Ext. Pressure Coefficient $c_{pe} = -0.65, 0.70$</td> <td>Int. Pressure Coefficient $c_{pi} = -0.49, 0.36$</td> </tr> </table>	2022 National Construction Code of Australia	NCC Building Classification: Class 10a	Region AS1170.2 = Reg A	Factor for Region = NA	NCC Importance Level = 2	NCC Equivalent Wind class = N/A	Annual Probability Exceedance wind = 1:500	Design Roof Live Load = 0.25 kPa	Regional 3 s Gust Wind Speed for annual probability of exceedance $V_R = 45$ m/s		Wind directional multipliers for the 8 cardinal directions $M_d = 1.00$		Terrain/Height multiplier (M_z , Cat) = 0.87	Shielding Multiplier $M_s = 1$	Topographic multiplier $M_t = 1$	Design Wind Speed = 39 m/s	Ext. Pressure Coefficient $c_{pe} = -0.65, 0.70$	Int. Pressure Coefficient $c_{pi} = -0.49, 0.36$												
2022 National Construction Code of Australia	NCC Building Classification: Class 10a																														
Region AS1170.2 = Reg A	Factor for Region = NA																														
NCC Importance Level = 2	NCC Equivalent Wind class = N/A																														
Annual Probability Exceedance wind = 1:500	Design Roof Live Load = 0.25 kPa																														
Regional 3 s Gust Wind Speed for annual probability of exceedance $V_R = 45$ m/s																															
Wind directional multipliers for the 8 cardinal directions $M_d = 1.00$																															
Terrain/Height multiplier (M_z , Cat) = 0.87	Shielding Multiplier $M_s = 1$																														
Topographic multiplier $M_t = 1$	Design Wind Speed = 39 m/s																														
Ext. Pressure Coefficient $c_{pe} = -0.65, 0.70$	Int. Pressure Coefficient $c_{pi} = -0.49, 0.36$																														
<p>Reference Documentation Clearly identify any relevant documentation, e.g numbered structural engineering plans</p>	<p>Drawing Nos: 'Fair Dinkum Sheds' Structural Design Drawing</p> <p>To be read in conjunction with Pages 1 to 7</p> <p>For Job Number: YAAS24724 DATED : 16/1/2025</p> <p>Specifications:</p> <p>Computations:</p> <p>Test Reports:</p> <p>Other Documentation:</p>																														
<p>Competent Person Details A competent person for building work, means a person who is assessed by the building certifier for the work as competent to practise in aspect of the design, building or inspection of the building work because of the person's skill and experience in the aspect. The competent person must also be registered or licensed under a law applying in the state to practice the aspect.</p> <p>A COPY OF A CURRENT CV AND PROFESSIONAL REGISTRATION DETAILS MUST BE PROVIDED WITH THE CERTIFICATE</p>	<table border="1" style="width: 100%; border-collapse: collapse;"> <tr> <td style="width: 50%;">Name:</td> <td colspan="2">Timothy Roy Messer</td> </tr> <tr> <td>Company Name (If applicable):</td> <td colspan="2">Northern Consulting Engineers</td> </tr> <tr> <td>Postal Address:</td> <td colspan="2">50 Punari Street, Currajong 4812</td> </tr> <tr> <td>Contact Person:</td> <td colspan="2">Timothy Roy Messer</td> </tr> <tr> <td>Telephone Number:</td> <td colspan="2">07 4725 5550</td> </tr> <tr> <td>Mobile Number:</td> <td colspan="2">N/A</td> </tr> <tr> <td>Fax Number:</td> <td colspan="2">07 4725 5850</td> </tr> <tr> <td>Email Address:</td> <td colspan="2">design@nceng.com.au</td> </tr> <tr> <td>License or Registration Number:</td> <td>2558980</td> <td>Copy of CV Attached: Tick Box</td> </tr> <tr> <td colspan="3" style="text-align: right;"> <input type="checkbox"/> Y <input checked="" type="checkbox"/> N or <input checked="" type="checkbox"/> X </td> </tr> </table>	Name:	Timothy Roy Messer		Company Name (If applicable):	Northern Consulting Engineers		Postal Address:	50 Punari Street, Currajong 4812		Contact Person:	Timothy Roy Messer		Telephone Number:	07 4725 5550		Mobile Number:	N/A		Fax Number:	07 4725 5850		Email Address:	design@nceng.com.au		License or Registration Number:	2558980	Copy of CV Attached: Tick Box	<input type="checkbox"/> Y <input checked="" type="checkbox"/> N or <input checked="" type="checkbox"/> X		
Name:	Timothy Roy Messer																														
Company Name (If applicable):	Northern Consulting Engineers																														
Postal Address:	50 Punari Street, Currajong 4812																														
Contact Person:	Timothy Roy Messer																														
Telephone Number:	07 4725 5550																														
Mobile Number:	N/A																														
Fax Number:	07 4725 5850																														
Email Address:	design@nceng.com.au																														
License or Registration Number:	2558980	Copy of CV Attached: Tick Box																													
<input type="checkbox"/> Y <input checked="" type="checkbox"/> N or <input checked="" type="checkbox"/> X																															
<p>Signature of Competent Person This form may be used by competent persons to certify the design of a material, system, method of building, building element design or other thing.</p> <p>If the competent person is a licensed company the authorised person of the company is to sign the form.</p>	<p>I certify that the item/s described above, if installed or carried out in accordance with the information contained in this certificate, including any referenced documentation, will comply with the National Construction Code of Australia/relevant Australian or International Standard.</p> <p>Signature of competent person: </p> <p style="text-align: right;">Date: 16/1/2025</p>																														

LOCAL GOVERNMENT USE ONLY

Date received	Reference Number/s
---------------	--------------------