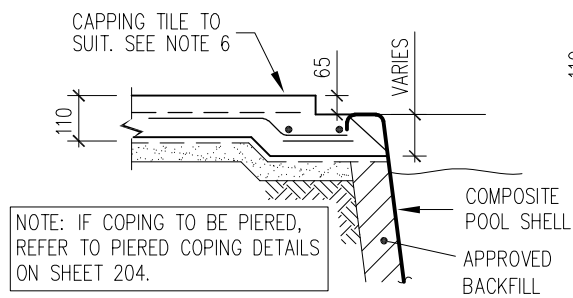


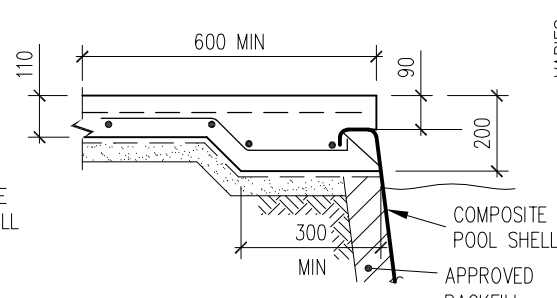
STANDARD COPINGS

(TYPE AS, BS & CS) REFER TO SHEET 202.



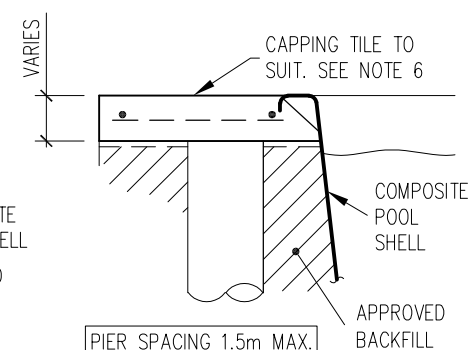
STEPPED COPINGS

(TYPE AAS, BBS & CCS) REFER TO SHEET 203.



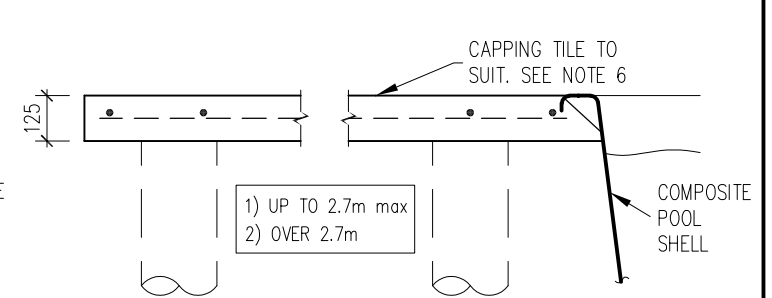
CANTILEVER COPING

REFER TO SHEET 203.



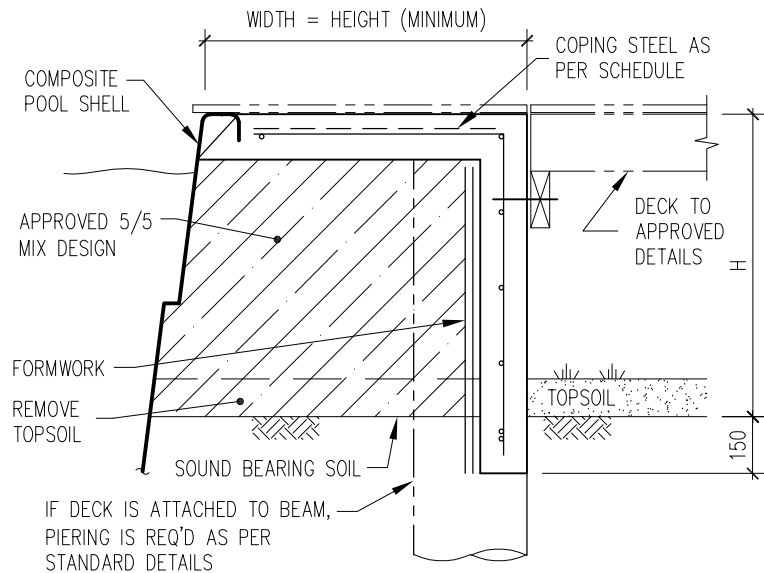
PIERED COPINGS

(TYPE P) REFER TO SHEET 204.



EXTENDED PIERED COPINGS

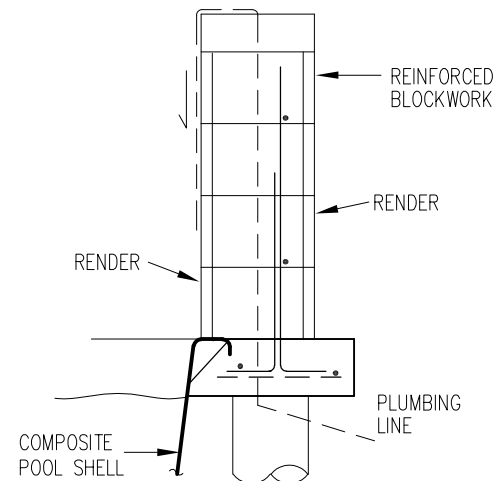
REFER TO SHEETS 205 & 206.



OUT OF GROUND COPING

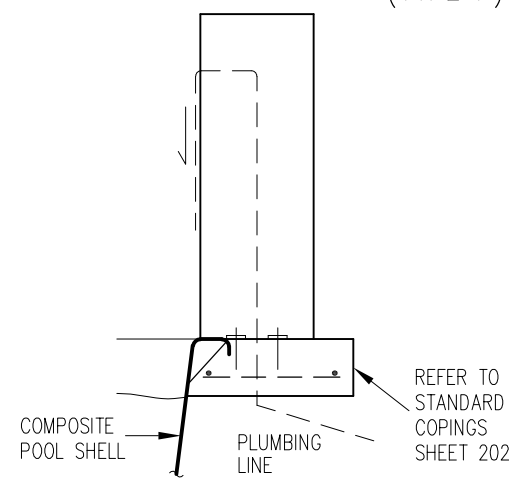
(WITH OPTION OF ATTACHED DECK AND PIERS)

REFER TO SHEET 207 FOR STEEL AND BACKFILL DETAILS



MASONRY SHEER DESCENT COPING

REFER TO SHEET 207.



FIBREGLASS WATERWALL COPING

REFER TO SHEET 207.

NOTE

- 1) CONCRETE STRENGTH SEE 100 SERIES SHEETS
- 2) ENGINEERING RECOMMENDATIONS TO BE READ IN CONJUNCTION WITH 600 SERIES DRAWINGS.
- 3) MINIMUM COVER TO REINFORCEMENT 50mm
- 4) ALL SLABS ON GROUND TO BE PLACED OVER 25mm MIN SAND BED.
- 5) CONTRACT RESPONSIBILITY FOR COPING BEYOND NOMINATED DIMENSION TO BE CLEARLY IDENTIFIED.
- 6) COMPASS POOLS REQUIRE A SURFACE FINISH TO BE APPLIED OVER THE FIBREGLASS COPING.
- 7) REINFORCEMENT ALLOWS FOR ALL CLASSES OF EXPOSURE.
- 8) APPROVED EARTH BONDING CONNECTION MAY BE REQUIRED TO COPING STEEL REINFORCEMENT IN ACCORDANCE WITH APPLICABLE STATE GOVERNMENT RULES.

COPYRIGHT

These drawings, plans and specifications and the copyright therein are the property of Compass Pools Australia Pty. Ltd. and must not be used, reproduced or copied wholly or in part without the written permission of Compass Pools Australia Pty. Ltd.

All rights reserved.



COMPASS POOLS AUSTRALIA PTY LTD

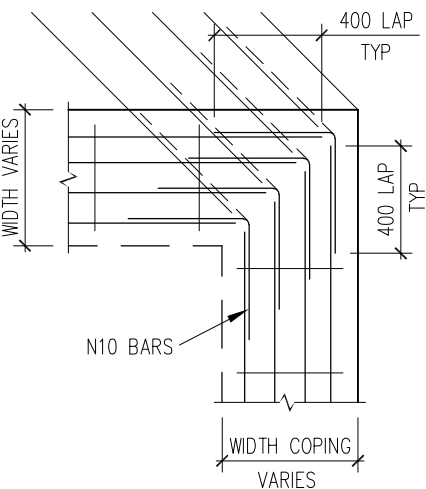
ESTABLISHED 1980

ACN 086 874 222

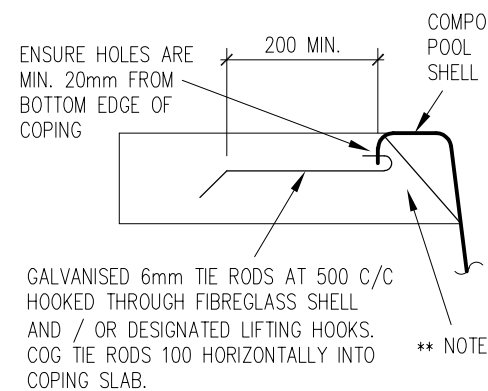
19 School Drive, Tomago N.S.W. 2322

Telephone: + 612 49648692

Fax: + 612 49648693

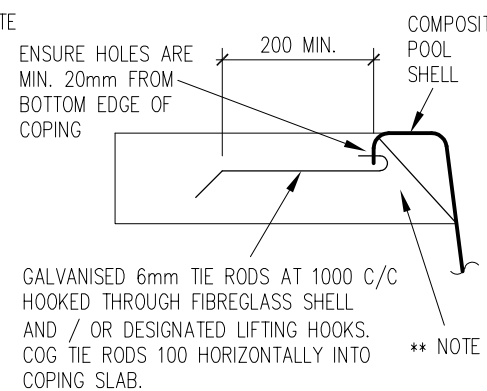


**CHANGE OF ALIGNMENT/
LAP REINFORCEMENT**



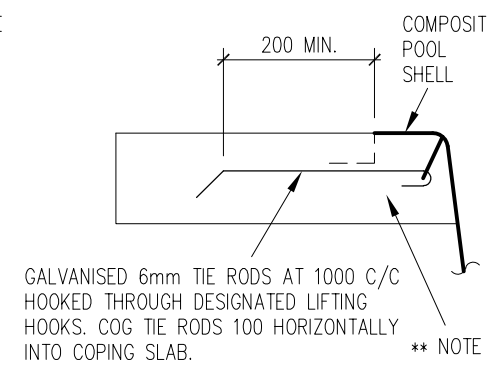
TIE DETAIL '1'

SOIL TYPE: H1 / H2 / E CLASS CLAY



TIE DETAIL '2'

SOIL TYPE: SAND, S / M CLASS CLAY



TIE DETAIL '3'

FLAT FIBREGLASS COPINGS
TYPE 1 AND TYPE 2 LINK REBATES

** NOTE
ENSURE FULL CONCRETE VIBRATED UNDER EDGE OF SHELL

**RICKARD
ENGINEERING**

Specialist Civil & Structural Engineering Services

Suite 5, 121 Military Road, Neutral Bay, Sydney, NSW 2089, Australia

Phone: (+61) 2 9904 5610 www.rickardengineering.com ABN 47 164 127 468

STRUCTURAL DETAILS APPROVED BY CE RICKARD, M.Sc, FStruct.E, FIE(Aust), MIPENZ
QLD: RPEQ 2485 VIC: EC-1490 NSW: NPER 73285 NZ: PSA3584

COPING OPTIONS



Designed CER

Drawn NT

201V

CLIENT: _____

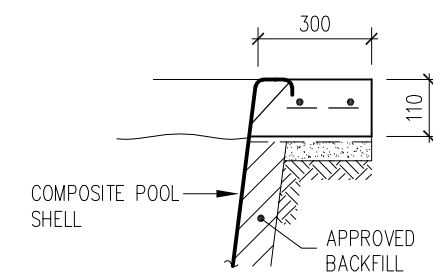
ADDRESS: _____

Date

Approved

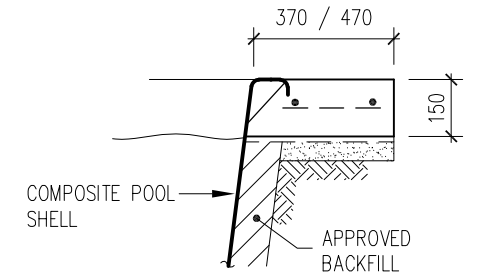
Job No.

POOL	LENGTH (m)	300 AS	300 BS	300 CS	370 AS	370 BS	340-370 CS	470 BS	600 AS	750 AS	900 AS
CONTEMPORARY	8.30		✓	✓	✓	✓	✓	✓	✓	✓	✓
	9.50			✓		✓	✓	✓	✓	✓	✓
	10.90					✓	✓	✓	✓	✓	✓
COURTYARD	4.50	✓	✓	✓	✓	✓	✓	✓	✓	✓	✓
	7.00		✓	✓	✓	✓	✓	✓	✓	✓	✓
RIVIERA	7.00 / 7.50		✓	✓	✓	✓	✓	✓	✓	✓	✓
	8.60			✓		✓	✓	✓	✓	✓	✓
	9.40					✓	✓	✓	✓	✓	✓
	10.60						✓	✓	✓	✓	✓
	11.80						* ✓	✓	✓	✓	✓
X-TRAINER	5.80 & SLIMLINE	✓	✓	✓	✓	✓	✓	✓	✓	✓	✓
	7.20 & SLIMLINE		✓	✓	✓	✓	✓	✓	✓	✓	✓
	8.20 & SLIMLINE			✓		✓	✓	✓	✓	✓	✓
	9.40					✓	✓	✓	✓	✓	✓
	10.20						✓	✓	✓	✓	✓
	11.80						* ✓	✓	✓	✓	✓
FAST LANE	10.30 / 12.30						* ✓	✓	✓	✓	✓
CUSTOM LENGTH POOLS	< 12.30	USE X-TRAINER COPING SPECIFICATIONS FOR EQUIVALENT LENGTH									
	> 12.30	COPING WIDTH TO BE APPROVED AT URN TO SUIT INDIVIDUAL SITE CONDITIONS *									
VOGUE	7.15 & SLIMLINE		✓	✓	✓	✓	✓	✓	✓	✓	✓
	8.20 (4.2m & 3.45m)			✓		✓	✓	✓	✓	✓	✓
	9.40					✓	✓	✓	✓	✓	✓
	10.20						✓	✓	✓	✓	✓
PLUNGE POOL	3.60 4.80 5.00 6.20	✓	✓	✓	✓	✓	✓	✓	✓	✓	✓
SANCTUARY	7.00		✓	✓	✓	✓	✓	✓	✓	✓	✓
SPAS & WADERS		✓	✓	✓	✓	✓	✓	✓	✓	✓	✓



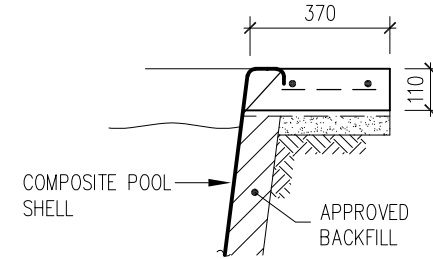
TYPE '300 AS'

REINFORCE WITH 3L8TM OR SL62 PLACED CENTRAL + 2S12 CONTINUOUS AROUND POOL.



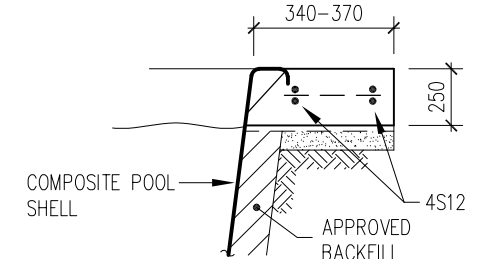
TYPE '370 & 470 BS'

REINFORCE WITH 3L8TM OR SL62 PLACED CENTRAL + 2S12 CONTINUOUS AROUND POOL.



TYPE '370 AS'

REINFORCE WITH 3L8TM OR SL62 PLACED CENTRAL + 2S12 CONTINUOUS AROUND POOL.



TYPE '340-370 CS'

REINFORCE WITH 3L8TM OR SL62 PLACED CENTRAL + 4S12 CONTINUOUS AROUND POOL.

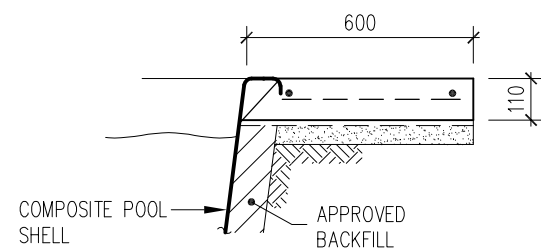
COPING 'TYPE 'AS'	110mm WITH MEMBRANE 125mm WITHOUT MEMBRANE
COPING 'TYPE 'BS'	150mm WITH MEMBRANE 150mm WITHOUT MEMBRANE
COPING 'TYPE 'CS'	250mm WITH MEMBRANE 250mm WITHOUT MEMBRANE

MINIMUM WIDTH OF COPING TO BE MAINTAINED AROUND SKIMMER BOX

FOR POSSIBLE VARIATIONS SEE RICKARD ENGINEERING

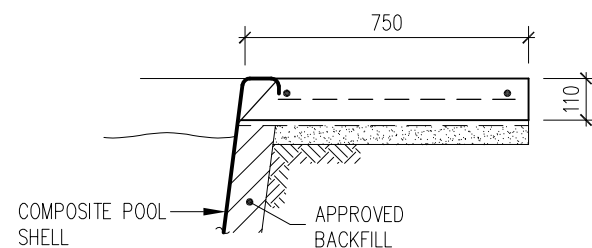
* NEED TO USE N16 BARS INSTEAD OF N12/S12 FOR CONCRETE SPEC. SEE 100 SERIES NOTES.

ENGINEERING RECOMMENDATIONS TO BE READ IN CONJUNCTION WITH THE 600 SERIES DRAWINGS



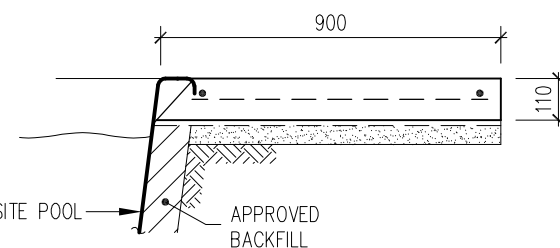
TYPE '600 AS'

REINFORCE WITH SL62 PLACED CENTRAL + 2S12 CONTINUOUS AROUND POOL.



TYPE '750 AS'

REINFORCE WITH SL62 PLACED CENTRAL + 2S12 CONTINUOUS AROUND POOL.



TYPE '900 AS'

REINFORCE WITH SL62 PLACED CENTRAL + 2S12 CONTINUOUS AROUND POOL.

COPYRIGHT All rights reserved.
These drawings, plans and specifications and the copyright therein are the property of Compass Pools Australia Pty. Ltd. and must not be used, reproduced or copied wholly or in part without the written permission of Compass Pools Australia Pty. Ltd.



COMPASS POOLS AUSTRALIA PTY LTD

ESTABLISHED 1980

ACN 086 874 222

19 School Drive, Tomago N.S.W. 2322

Telephone: + 612 49648692

Fax: + 612 49648693

RICKARD ENGINEERING

Specialist Civil & Structural Engineering Services

Suite 5, 121 Military Road, Neutral Bay, Sydney, NSW 2089, Australia

Phone: (+61) 2 9904 5610 www.rickardengineering.com ABN 47 164 127 468

STANDARD COPINGS

Designed CER

Drawn AES

202J

CLIENT: _____

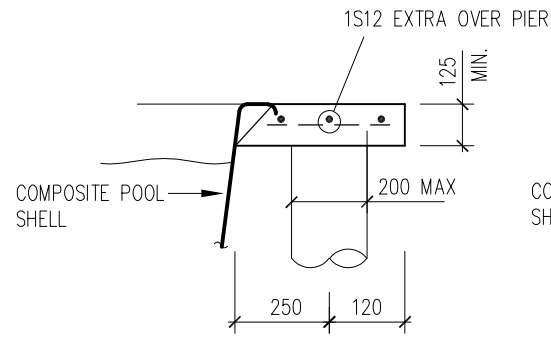
ADDRESS: _____

Date

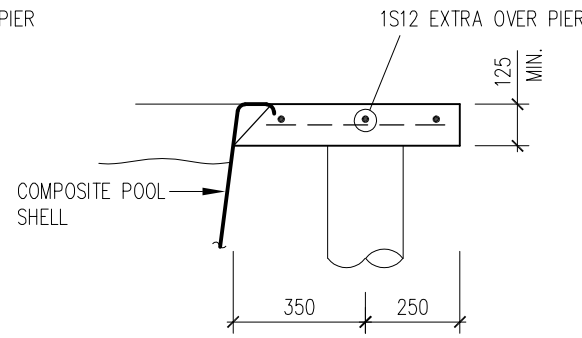
Approved

Job No.

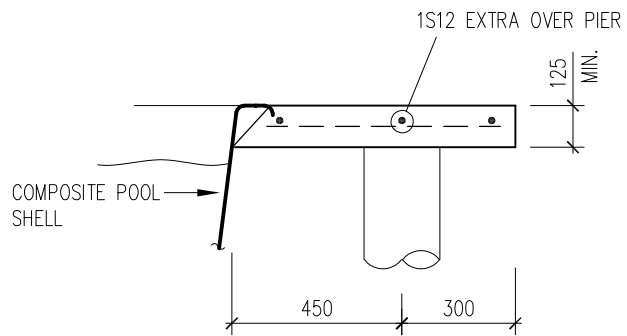
STRUCTURAL DETAILS APPROVED BY CE RICKARD, M.Sc, FStruct.E, FIE(Aust), MIPENZ
QLD: RPEQ 2485 VIC: EC-1490 NSW: NPER 73285 NZ: PSA3584



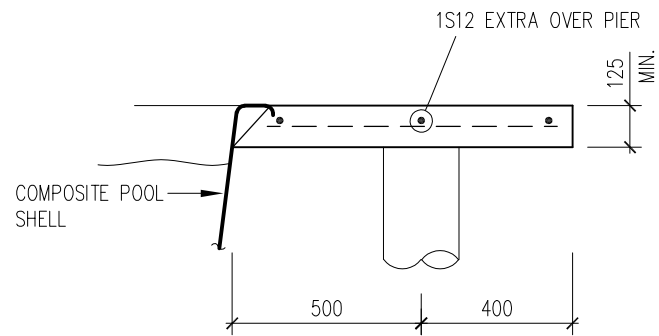
TYPE 370 P
 REINFORCE WITH 3L8TM OR SL62 MESH
 PLACED CENTRAL + 1S12 EACH EDGE



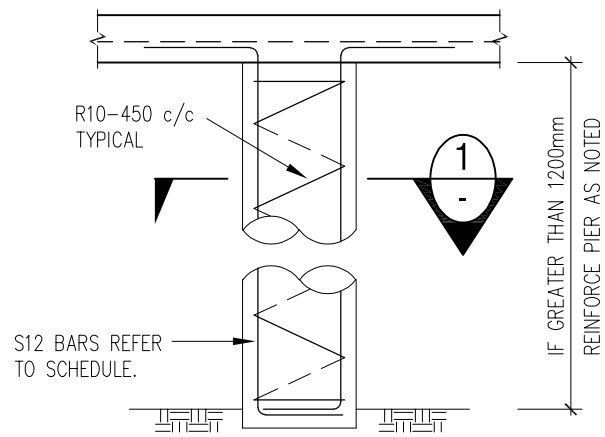
TYPE 600 P
 REINFORCE WITH SL62TM PLACED CENTRAL
 + 1S12 EACH EDGE



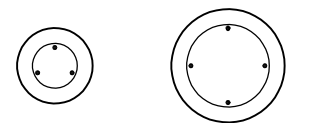
TYPE 750 P
 REINFORCE WITH SL62TM PLACED CENTRAL
 + 1S12 EACH EDGE



TYPE 900 P
 REINFORCE WITH SL62TM PLACED CENTRAL
 + 1S12 EACH EDGE



REINFORCED PIER 1
 BEARING TO ENGINEERS APPROVAL.



SECTION 1
 REFER TO SCHEDULE

TYPICAL PIER REINFORCEMENT LAYOUT

TYPE	SOIL	BEARING PRESSURE (kPa)	DIAMETER (mm)	REINFORCEMENT IF > THAN 1200 DEPTH
370 P	SAND/ FILL	100	N/A	
	CLAY	200	200	3S12
	SHALE	400	150	3S12
600 P	SAND/ FILL	100	300	4S12
	CLAY	200	200	3S12
	SHALE	400	150	3S12
750 P	SAND/ FILL	100	300	4S12
900 P	CLAY	200	200	3S12
	SHALE	400	150	3S12

- NOTES:**
- 1) MINIMUM COPING SIZE IS 370mm. MINIMUM WIDTH OF COPING TO BE MAINTAINED AROUND SKIMMER BOX.
 - 2) ENGINEERING RECOMMENDATIONS TO BE READ IN CONJUNCTION WITH ENGINEERING INSTRUCTIONS FOR INSTALLATION 600 SERIES DRAWINGS
 - 3) COPINGS CAN BE EITHER:
 - STANDARD (BS & CS)
 - STEPPED (BBS, & CCS)
 - CANTILEVER
 - 4) REFER TO SHEETS 202 & 203 FOR DETAILS.
 - 5) ENSURE TIES INSTALLED AS PER SHEET 201
 - 6) PIERS AT 1500mm CTS TYP.
 - 7) FOR CONCRETE SPEC. SEE 100 SERIES NOTES.
 - 8) THE PROVISION OF BULK SAND AND CEMENT OR OTHER CEMENTITIOUS MATERIAL WHICH CAN BE LAID WITHOUT VIGOROUS COMPACTION AGAINST THE POOL SHELL CAN BE CONSIDERED AS AN ALTERNATIVE TO PIERS

COPYRIGHT All rights reserved.
 These drawings, plans and specifications and the copyright therein are the property of Compass Pools Australia Pty. Ltd. and must not be used, reproduced or copied wholly or in part without the written permission of Compass Pools Australia Pty. Ltd.

COMPASSPOOLS
 HOME OF THE SELF CLEANING POOL

COMPASS POOLS AUSTRALIA PTY LTD
 ESTABLISHED 1980 ACN 086 874 222
 19 School Drive, Tomago N.S.W. 2322
 Telephone: + 612 49648692
 Fax: + 612 49648693

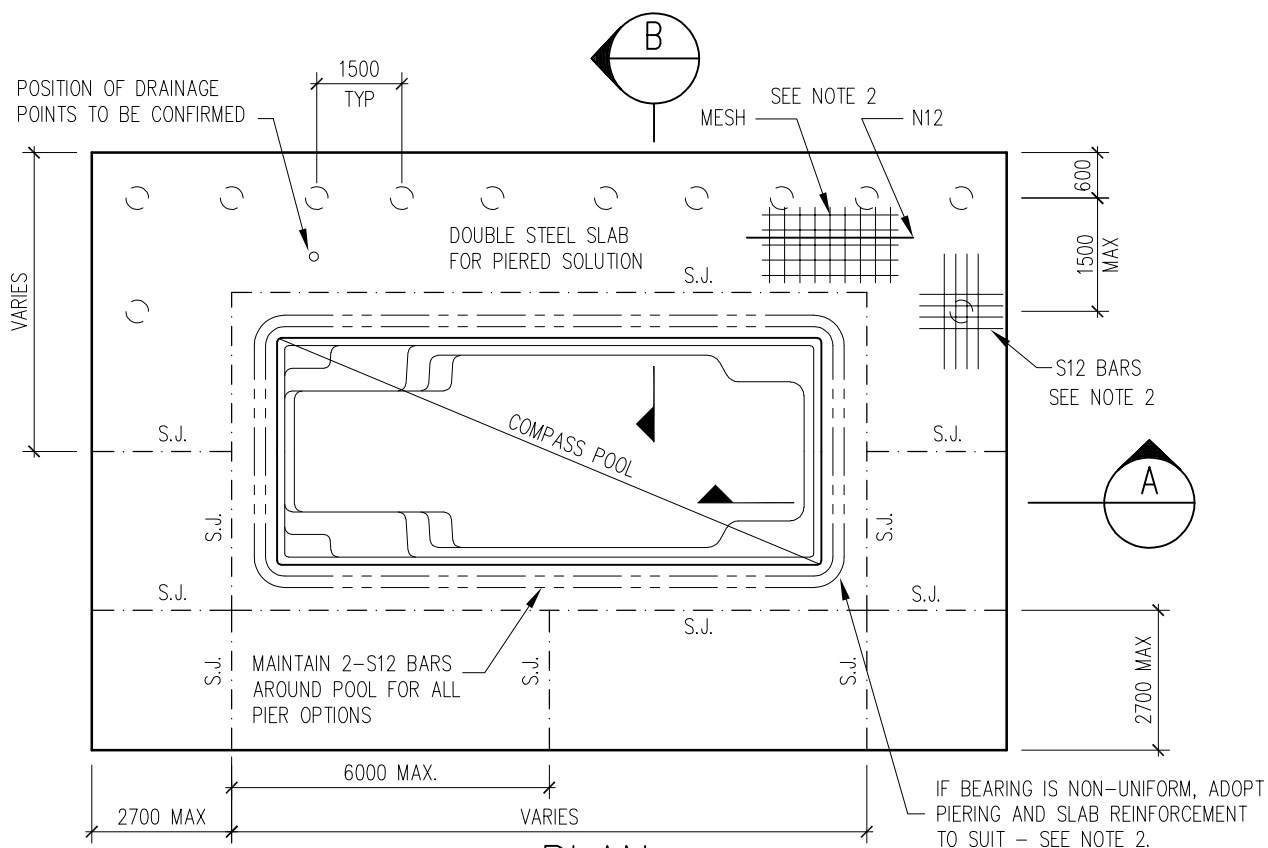
RICKARD ENGINEERING
 Specialist Civil & Structural Engineering Services
 Suite 5, 121 Military Road, Neutral Bay, Sydney, NSW 2089, Australia
 Phone: (+61) 2 9904 5610 www.rickardengineering.com ABN 47 164 127 468

STRUCTURAL DETAILS APPROVED BY CE RICKARD, M.Sc, FStruct.E, FIE(Aust), MIPENZ
 QLD: RPEQ 2485 VIC: EC-1490 NSW: NPER 73285 NZ: PSA3584

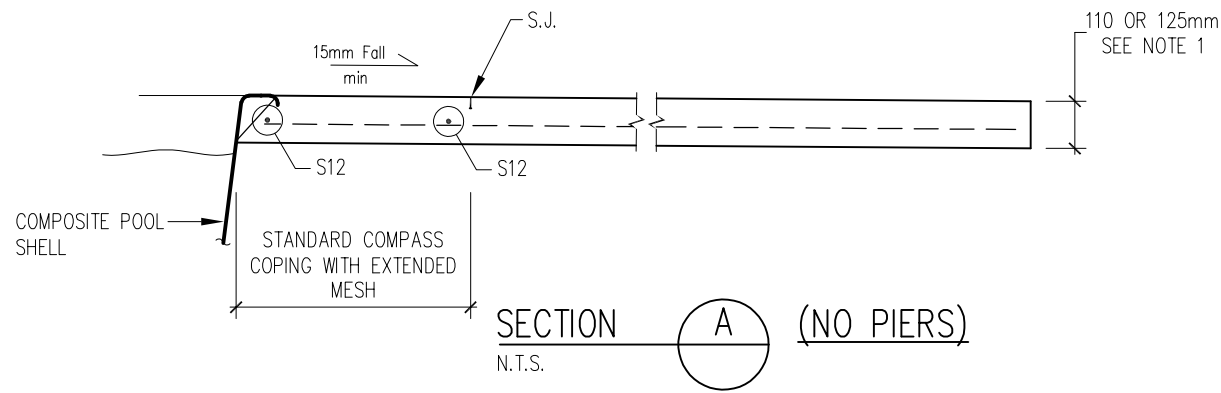
PIERED COPINGS

Designed CER
 Drawn AES
204J

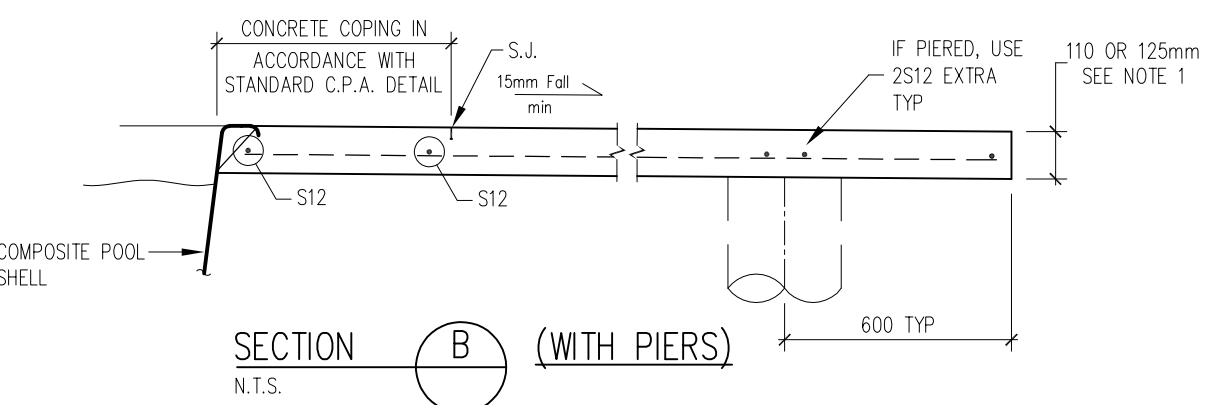
CLIENT: _____ Date _____
 ADDRESS: _____ Approved _____
 _____ Job No. _____



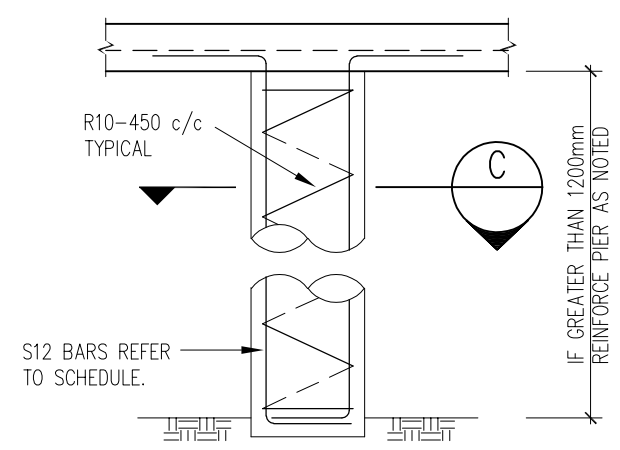
PLAN



SECTION A (NO PIERS)
N.T.S.

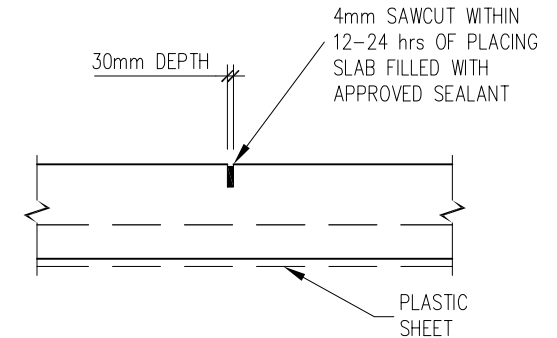


SECTION B (WITH PIERS)
N.T.S.



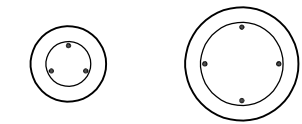
REINFORCED PIER 1

BEARING TO ENGINEERS APPROVAL.



SAWCUT JOINT

NOTED 'S.J.' ON PLAN



SECTION C

N.T.S.

REFER TO SCHEDULE
TYPICAL PIER
REINFORCEMENT LAYOUT
(FOR PIERS GREATER THAN 1200 DEEP)

EXTENDED COPINGS UP TO 2.7m		
BEARING PRESSURE (kPa)	DIAMETER (mm)	REINFORCEMENT IF > THAN 1200 DEPTH
100	450	4S12
200	300	4S12
400	250	3S12

NOTE:

- 1) SLAB ON GROUND
NATURAL UNIFORM BEARING VERY IMPORTANT PLUS FALLS FOR DRAINAGE. SEE NOTE 3. 110 mm SLAB ON PLASTIC SHEET AND 25mm SAND. SL72 MESH + 1N12 EVERY 1m OR SL82 MESH.
- 2) PIERED SLABS
PIERS REQUIRED FOR NON UNIFORM BEARING. LESS THAN 1200mm - NO REINFORCEMENT REQUIRED. OVER 1200mm SEE DETAIL ON THIS SHEET. 125mm MIN SLAB SL72 MESH + 1N12 BAR EVERY 1m PLUS EXTRA BARS OVER PIERS AS NOMINATED.
- 3) DRAINAGE: 1 WAY 1:75 FALLS
2 WAY 1:100 FALLS
- 4) ENGINEERING
ENGINEERING RECOMMENDATIONS TO BE READ IN CONJUNCTION WITH ENGINEERING INSTRUCTIONS FOR INSTALLATION 600 SERIES DRAWINGS
- 5) THIS DRAWING CAN BE MADE SITE SPECIFIC, BUT REQUIRES REVIEW BY AN ENGINEER TO BE SO.
- 6) ADOPT STANDARD COMPASS COPING AND REINFORCEMENT, BUT EXTEND MESH BEYOND.

COPYRIGHT All rights reserved.
These drawings, plans and specifications and the copyright therein are the property of Compass Pools Australia Pty. Ltd. and must not be used, reproduced or copied wholly or in part without the written permission of Compass Pools Australia Pty. Ltd.



COMPASS POOLS AUSTRALIA PTY LTD
ESTABLISHED 1980 ACN 086 874 222
19 School Drive, Tomago N.S.W. 2322
Telephone: + 612 49648692
Fax: + 612 49648693

RICKARD ENGINEERING
Specialist Civil & Structural Engineering Services

Suite 5, 121 Military Road, Neutral Bay, Sydney, NSW 2089, Australia
Phone: (+61) 2 9904 5610 www.rickardengineering.com ABN 47 164 127 468

STRUCTURAL DETAILS APPROVED BY CE RICKARD, M.Sc, FStruct.E, FIE(Aust), MIPENZ
QLD: RPEQ 2485 VIC: EC-1490 NSW: NPER 73285 NZ: PSA3584

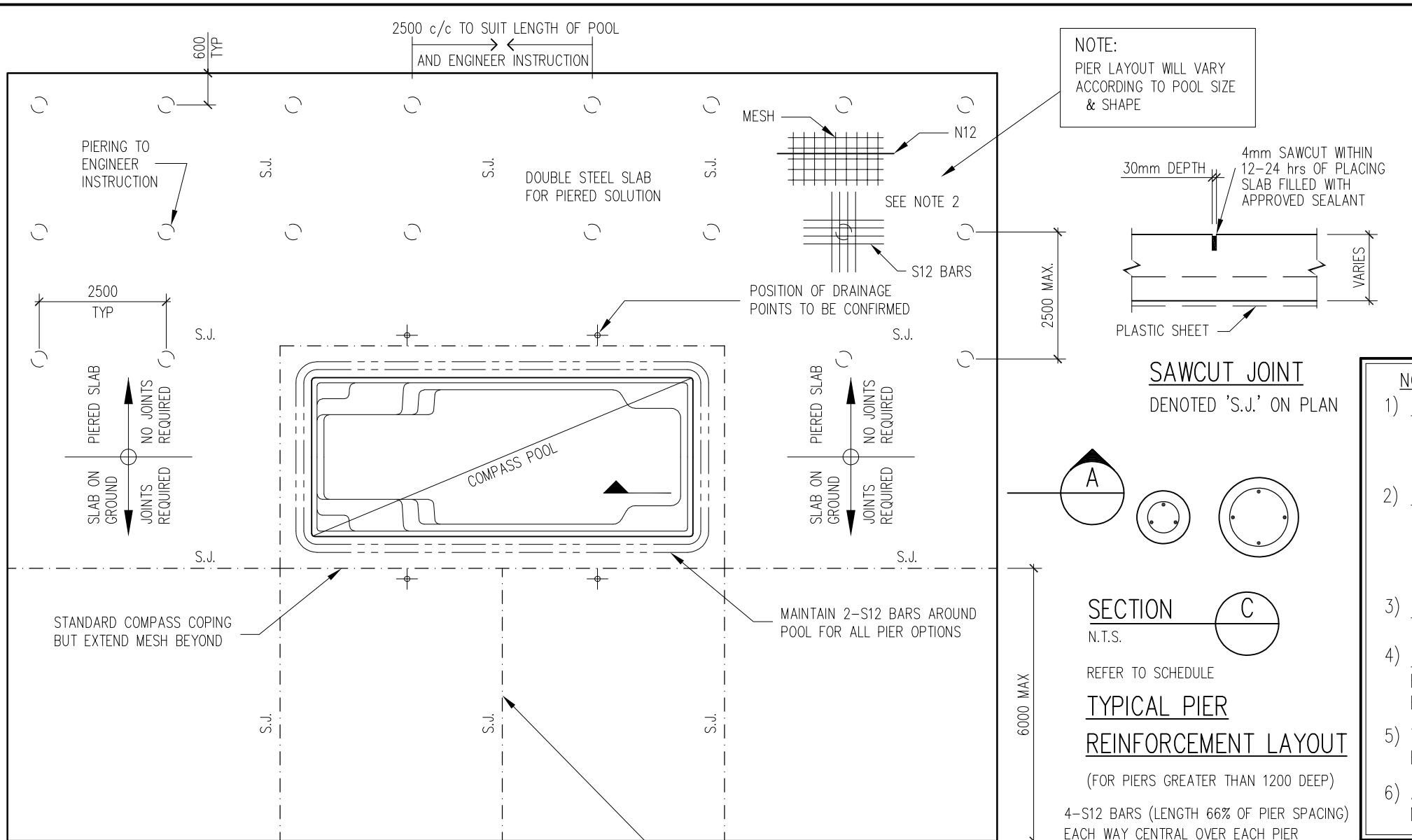
EXTENDED COPINGS (UP TO 2.7m)

Designed CER
Drawn AES

205L

CLIENT: _____
ADDRESS: _____

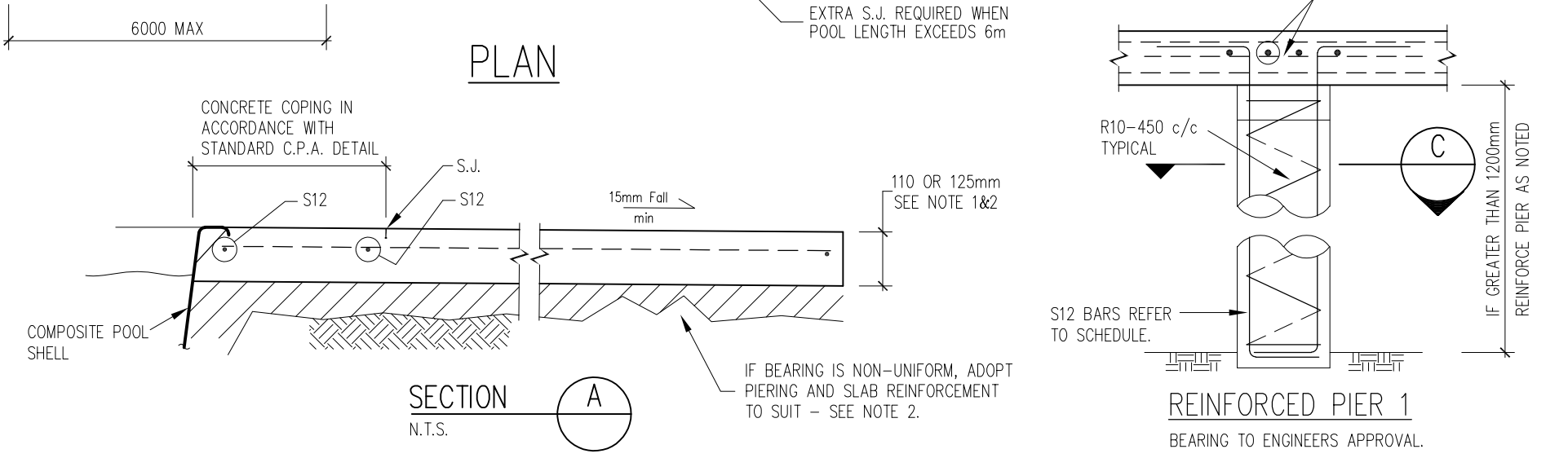
Date _____
Approved _____
Job No. _____



NOTE:
PIER LAYOUT WILL VARY ACCORDING TO POOL SIZE & SHAPE

EXTENDED COPING over 2.7m		
BEARING PRESSURE (kPa)	DIAMETER (mm)	REINFORCEMENT IF > THAN 1200 DEPTH
100	450	4S12
200	300	4S12
400	250	3S12

- NOTE:
- 1) **SLAB ON GROUND**
NATURAL UNIFORM BEARING VERY IMPORTANT PLUS FALLS FOR DRAINAGE. SEE NOTE 3. 110 mm SLAB ON PLASTIC SHEET AND 25mm SAND. SL72 MESH + 1N12 EVERY 1m OR SL82 MESH.
 - 2) **PIERED SLABS**
PIERS REQUIRED FOR NON UNIFORM BEARING. LESS THAN 1200mm - NO REINFORCEMENT REQUIRED. OVER 1200mm SEE DETAIL ON THIS SHEET. 125mm MIN SLAB SL72 MESH TOP & BOTTOM + 1-N12 BAR EVERY 1m PLUS EXTRA BARS OVER PIERS AS NOMINATED.
 - 3) **DRAINAGE:** 1 WAY 1:75 FALLS
2 WAY 1:100 FALLS
 - 4) **ENGINEERING**
ENGINEERING RECOMMENDATIONS TO BE READ IN CONJUNCTION WITH ENGINEERING INSTRUCTIONS FOR INSTALLATION 600 SERIES DRAWINGS
 - 5) THIS DRAWING CAN BE MADE SITE SPECIFIC, BUT REQUIRES REVIEW BY AN ENGINEER TO BE SO.
 - 6) ADOPT STANDARD COMPASS COPING AND REINFORCEMENT, BUT EXTEND MESH BEYOND.



COPYRIGHT All rights reserved.
These drawings, plans and specifications and the copyright therein are the property of Compass Pools Australia Pty. Ltd. and must not be used, reproduced or copied wholly or in part without the written permission of Compass Pools Australia Pty. Ltd.

COMPASS POOLS AUSTRALIA PTY LTD
ESTABLISHED 1980 ACN 086 874 222
19 School Drive, Tomago N.S.W. 2322
Telephone: + 612 49648692
Fax: + 612 49648693

RICKARD ENGINEERING
Specialist Civil & Structural Engineering Services
Suite 5, 121 Military Road, Neutral Bay, Sydney, NSW 2089, Australia
Phone: (+61) 2 9904 5610 www.rickardengineering.com ABN 47 164 127 468

STRUCTURAL DETAILS APPROVED BY CE RICKARD, M.Sc, FStruct.E, FIE(Aust), MIPENZ
QLD: RPEQ 2485 VIC: EC-1490 NSW: NPER 73285 NZ: PSA3584

EXTENDED COPINGS (OVER 2.7m)

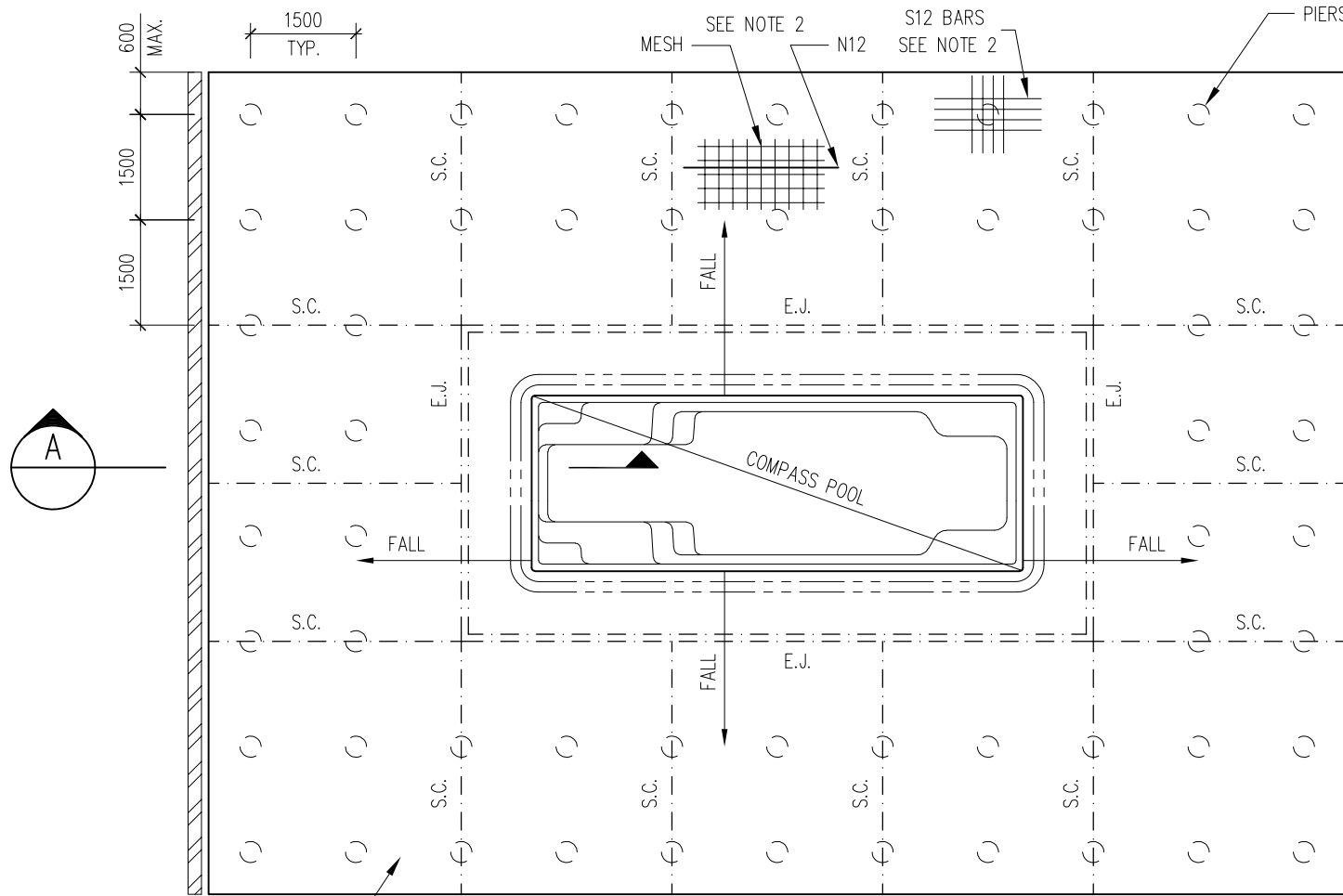
Designed CER
Drawn AES

206N

CLIENT: _____ Date _____

ADDRESS: _____ Approved _____

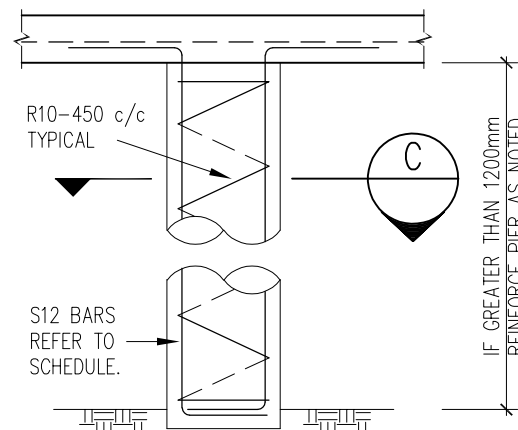
_____ Job No. _____



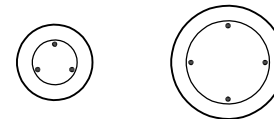
TYPICAL PLAN - COPING EXTENSION

SCALE 1:100

LIMIT SET AT 3600mm SLAB WITHOUT ENGINEER'S APPROVAL



REINFORCED PIER 1
BEARING TO ENGINEERS APPROVAL.

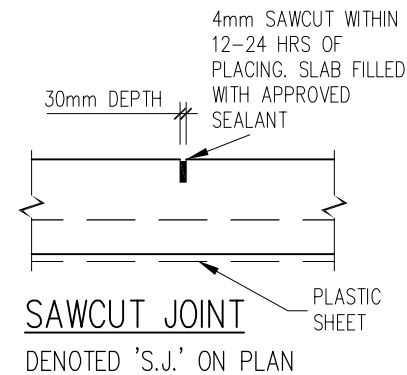


SECTION C
N.T.S.

REFER TO SCHEDULE

TYPICAL PIER
REINFORCEMENT LAYOUT

(FOR PIERS GREATER THAN 1200 DEEP)



SAWCUT JOINT
DENOTED 'S.J.' ON PLAN

PIER SIZES		
BEARING PRESSURE (kPa)	DIAMETER (mm)	REINFORCEMENT IF > THAN 1200 DEPTH
100	450	4S12
200	300	4S12
400	250	3S12

NOTE:

- PIERED SLABS**
PIERS REQUIRED, LESS THAN 1200mm - NO REINFORCEMENT REQUIRED. OVER 1200mm SEE DETAIL ON THIS SHEET. 125mm MIN. SLAB SL72 MESH + 1N12 BAR EVERY 1m PLUS EXTRA BARS OVER PIERS AS NOMINATED
- DRAINAGE:** LAYOUT TO BE RESOLVED BY OTHERS
- ENGINEERING**
ENGINEERING RECOMMENDATIONS TO BE READ IN CONJUNCTION WITH ENGINEERING INSTRUCTIONS FOR INSTALLATION 600 SERIES DRAWINGS
- THIS DRAWING CAN BE MADE SITE SPECIFIC, BUT REQUIRES REVIEW BY AN ENGINEER TO BE SO.
- DOWEL CONNECTION**
COPING EXTENSION UP TO 2.7m - DOWEL TO BE CHEMSET BONDED INTO EXISTING CONCRETE COPING PRIOR TO POUR OF COPING EXTENSION, UNLESS OTHERWISE APPROVED BY CERTIFYING ENGINEER.
COPING EXTENSION OVER 2.7m - REFER TO CERTIFYING ENGINEER.

COPYRIGHT

All rights reserved. These drawings, plans and specifications and the copyright therein are the property of Compass Pools Australia Pty. Ltd. and must not be used, reproduced or copied wholly or in part without the written permission of Compass Pools Australia Pty. Ltd.



COMPASS POOLS AUSTRALIA PTY LTD

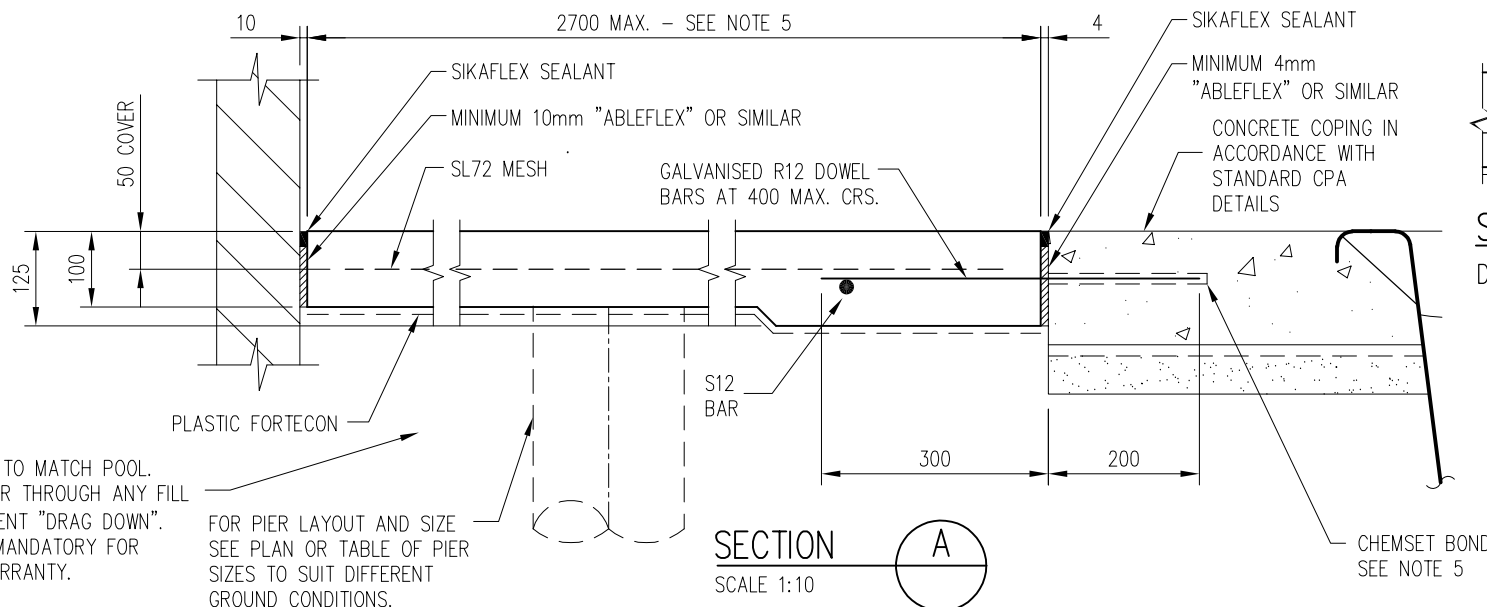
ESTABLISHED 1980

ACN 086 874 222

19 School Drive, Tomago N.S.W. 2322

Telephone: + 612 49648692

Fax: + 612 49648693



SECTION A
SCALE 1:10

BEARING TO MATCH POOL. STUB PIER THROUGH ANY FILL TO PREVENT "DRAG DOWN". THIS IS MANDATORY FOR POOL WARRANTY.

FOR PIER LAYOUT AND SIZE SEE PLAN OR TABLE OF PIER SIZES TO SUIT DIFFERENT GROUND CONDITIONS.

RICKARD
ENGINEERING

Specialist Civil & Structural Engineering Services

Suite 5, 121 Military Road, Neutral Bay, Sydney, NSW 2089, Australia

Phone: (+61) 2 9904 5610 www.rickardengineering.com ABN 47 164 127 468

STRUCTURAL DETAILS APPROVED BY CE RICKARD, M.Sc, FStruct.E, FIE(Aust), MIPENZ
QLD: RPEQ 2485 VIC: EC-1490 NSW: NPER 73285 NZ: PSA3584

COPING EXTENSION

Designed CER

Drawn NT

211F

CLIENT: _____

ADDRESS: _____

Date

Approved

Job No.